

FAG

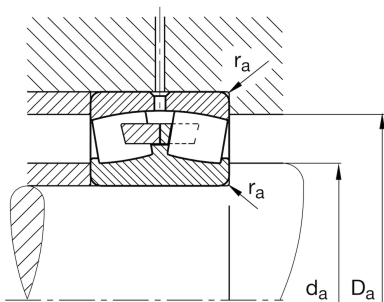
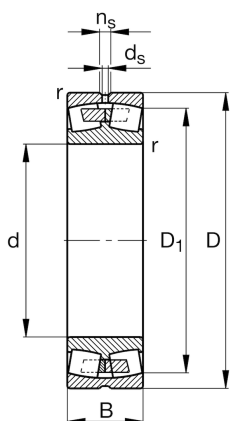
## 22224-E1A-XL-M

## Spherical Roller Bearing

Materiálové číslo Schaeffler:  
0190175020000Spherical roller bearing 222...-E1A-XL-M,  
symmetric 2 outer ribs

X-life

## Technické informace



## Main Dimensions &amp; Performance Data

d	120 mm	Bore diameter
D	215 mm	Outside diameter
B	58 mm	Width
$C_r$	640.000 N	Basic dynamic load rating, radial
$C_{0r}$	740.000 N	Basic static load rating, radial
$C_{ur}$	70.000 N	Fatigue load limit, radial
$n_G$	3.650 1/min	Limiting speed
$n_{gr}$	2.700 1/min	Reference speed
$\approx m$	8,848 kg	Hmotnost

## Mounting dimensions

$d_{a \min}$	132 mm	Minimum diameter shaft shoulder
$D_{a \max}$	203 mm	Maximum diameter of housing shoulder
$r_{a \max}$	2,1 mm	Maximum recess radius

## Dimensions

$r_{\min}$	2,1 mm	Minimum chamfer dimension
$D_1$	192 mm	Bore diameter outer ring
$d_2$	141,9 mm	Raceway diameter of the inner ring
$d_s$	6,3 mm	Diameter lubrication hole
$n_s$	12,2 mm	Width of lubricating groove

## Temperature range

$T_{\min}$	-30 °C	Operating temperature min.
$T_{\max}$	200 °C	Operating temperature max.

**Calculation factors**

e	0,25	Limiting value of Fa/Fr for the applicability of diff. Values of factors X and Y
Y <sub>1</sub>	2,71	Dynamic axial load factor
Y <sub>2</sub>	4,04	Dynamic axial load factor
Y <sub>0</sub>	2,65	Static axial load factor