



FAG

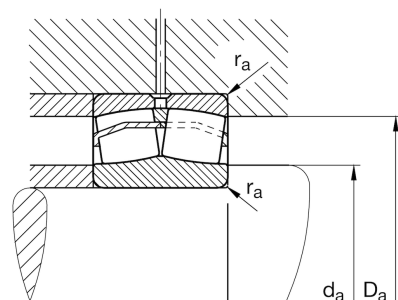
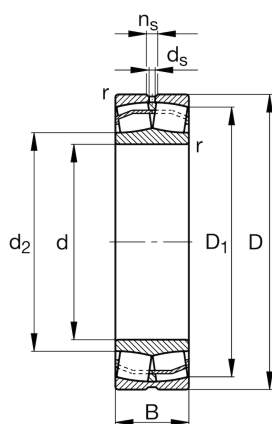
21314-E1-XL

Spherical roller bearing

Materiálové číslo Schaeffler:
0224679800000Spherical roller bearings 213..-E1, main
dimensions to DIN 635-2

X-life

Technické informace

**Main Dimensions & Performance Data**

d	70 mm	Bore diameter
D	150 mm	Outside diameter
B	35 mm	Width
C_r	250.000 N	Basic dynamic load rating, radial
C_{0r}	270.000 N	Basic static load rating, radial
C_{ur}	34.500 N	Fatigue load limit, radial
n_G	6.200 1/min	Limiting speed
n_{gr}	3.950 1/min	Reference speed
	3,062 kg	Hmotnost

Mounting dimensions

$d_{a \min}$	82 mm	Minimum diameter shaft shoulder
$D_{a \max}$	138 mm	Maximum diameter of housing shoulder
$r_{a \max}$	2,1 mm	Maximum recess radius

Dimensions

r_{\min}	2,1 mm	Minimum chamfer dimension
D_1	126,2 mm	Bore diameter outer ring
d_2	94,9 mm	Raceway diameter of the inner ring
d_s	3,2 mm	Diameter lubrication hole
n_s	6,5 mm	Width of lubricating groove

Temperature range

T_{\min}	-30 °C	Operating temperature min.
T_{\max}	200 °C	Operating temperature max.

Calculation factors

e	0,22	Limiting value of Fa/Fr for the applicability of diff. Values of factors X and Y
Y ₁	3,14	Dynamic axial load factor
Y ₂	4,67	Dynamic axial load factor
Y ₀	3,07	Static axial load factor