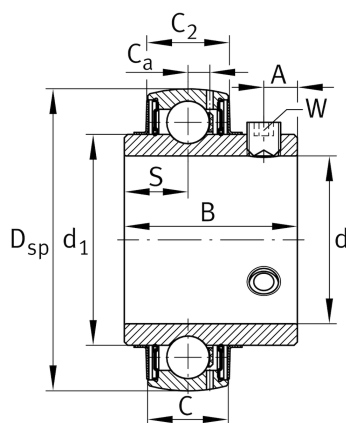


**FAG****UC205-16**

Radial insert ball bearing

Materiálové číslo Schaeffler:
0693201870000Radial insert ball bearings UC, spherical
outer ring, location by grub screws, RSR
seals on both sides

Technické informace

**Main Dimensions & Performance Data**

d	25,4 mm	Bore diameter
d	25,4 mm	Bore diameter, inch
D _{SP}	52 mm	Outside diameter
B	34,1 mm	Width
C _r	14.900 N	Basic dynamic load rating, radial
C _{0r}	7.800 N	Basic static load rating, radial
C _{ur}	335 N	Fatigue load limit, radial
≈m	0,19 kg	Hmotnost

Dimensions

C	17 mm	Width, outer ring
C ₂	17,6 mm	Sealing total width
S	14,3 mm	Distance raceway
d ₁	33,83 mm	Rib diameter inner ring
C _a	4,2 mm	Distance to lubrication hole
A	5 mm	Distance thread

Temperature range

T _{min}	-20 °C	Operating temperature min.
T _{max}	100 °C	Operating temperature max.

Calculation factors

f ₀	13,8	Calculation factor
----------------	------	--------------------