

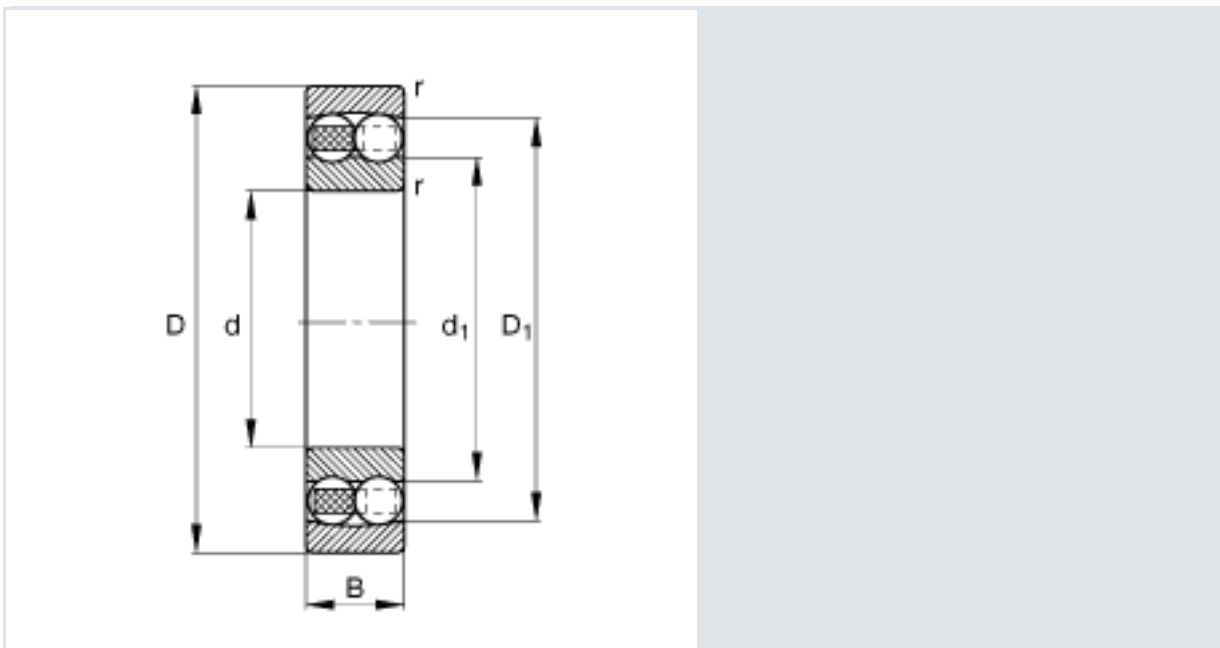
Self-aligning ball bearings 1224-M (Series 12)

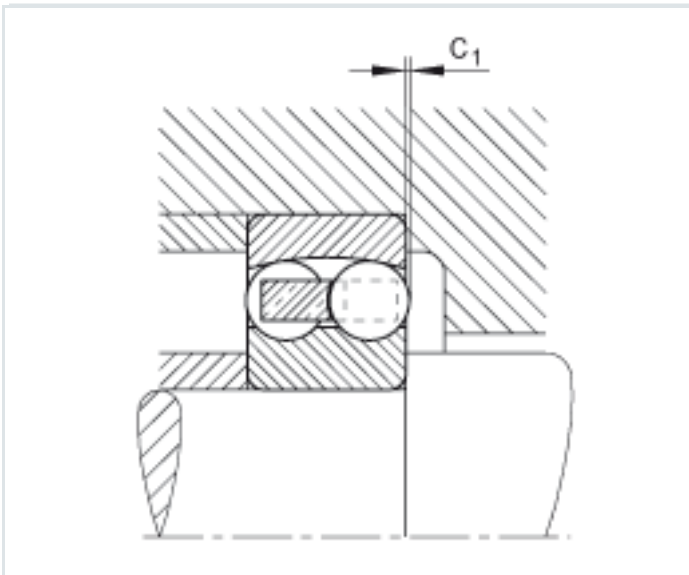
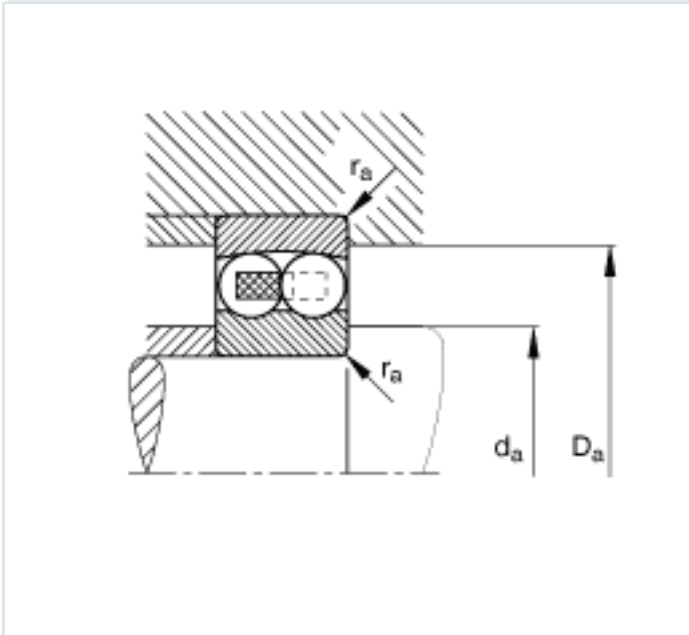
main dimensions to DIN 630

The datasheet is only an overview of dimensions and basic load ratings of the selected product. Please always observe all the guidelines in these overview pages. Further information is given on many products under the menu item "Description". You can also order comprehensive information via the Catalogue selection system (https://www.schaeffler.de/content.schaeffler.de/en/news_media/index.jsp) or by telephone on +49 (91 32) 82 - 28 97.

d	120 mm	
D	215 mm	
B	42 mm	
C ₁	1,8 mm	The ball projection must be taken into consideration when designing the adjacent construction.
D ₁	187,3 mm	
d ₁	149 mm	
D _{a max}	203 mm	
d _{a min}	132 mm	
r _{a max}	2,1 mm	
r _{min}	2,1 mm	
m	7,13 kg	Mass

C_r	121000 N	Basic dynamic load rating, radial
C_{0r}	53000 N	Basic static load rating, radial
C_{ur}	2600 N	Fatigue limit load, radial
n_G	4750 1/min	Limiting speed
$n_{\theta r}$	4200 1/min	Reference speed
e	0,2	
Y_1	3,11	
Y_2	4,81	
Y_0	3,25	





Ball projection C1