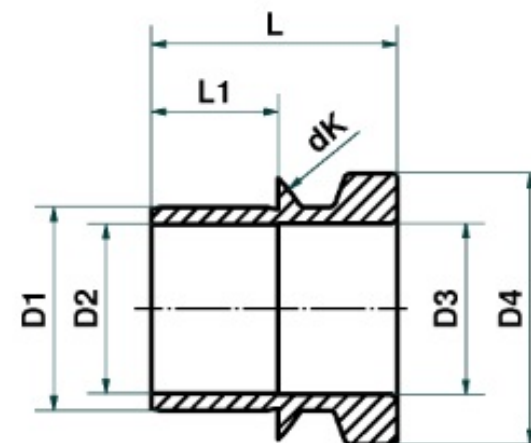
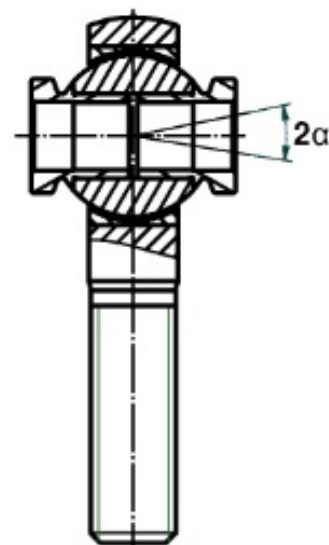


Bushing KRC..

Stainless Steel Bushing to increase tilting angle capability, by reducing the bore size of standard size Rod Ends

» [CAD Data](#)



Size (D)	D1	D2H7	D3	D4	L	L1	dK	Tilting Angle α (°)
10	10 ¹⁾	8 ²⁾	8,1	13,5	11,5	6,5	19,00	23
12	12 ¹⁾	10 ²⁾	10,1	16,0	14,5	7,5	22,20	23
14	14 ¹⁾	10 ²⁾	10,1	17,5	14,0	9,0	25,35	22
16	16 ¹⁾	12 ²⁾	12,1	20,0	15,0	10,0	28,50	21
18	18 ¹⁾	14 ²⁾	14,1	22,5	19,0	11,0	31,70	22
20	20 ¹⁾	16 ²⁾	16,1	25,0	20,0	12,0	34,90	21

Material: Stainless steel to 1.4057, Aisi 431

Order description: e.g. KRC16

For Rod End size 16

(Reduces the bore from 16 mm to 12 mm)

¹⁾ Fit for receiving bore H7

²⁾ Bore tolerance when mounted H7