



/medias/en!hp.ec.br.pr//medias/en!hp.pv/193.86.1.30EGB3540EGB..-E40Buchsen

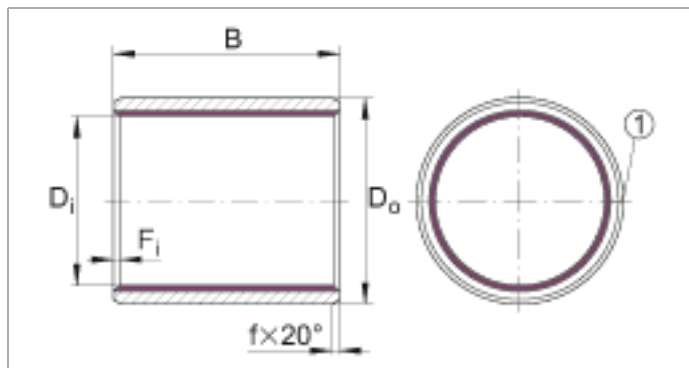
Bushes EGB3540-E40 (Series EGB..-E40)

bushes, maintenance-free, with steel backing

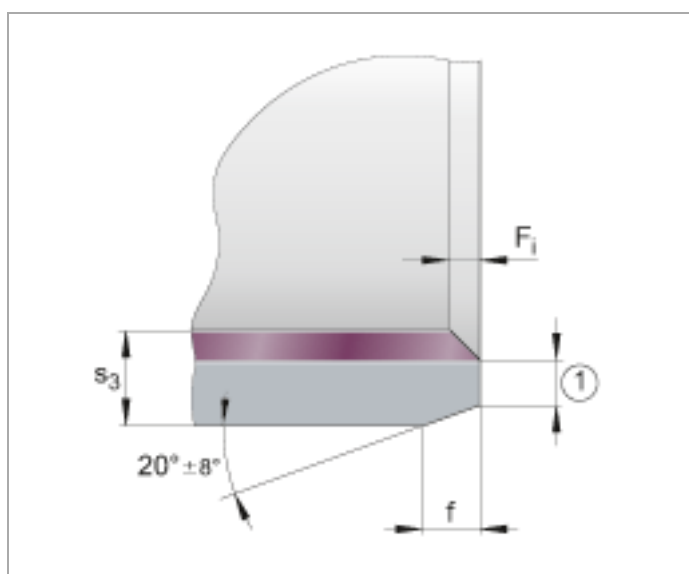
The datasheet is only an overview of dimensions and basic load ratings of the selected product. Please always observe all the guidelines in these overview pages. Further information is given on many products under the menu item "Description". You can also order comprehensive information via the Catalogue ordering system (https://www.schaeffler.de/content.schaeffler.de/en/news_media/index.jsp) or by telephone on +49 (91 32) 82 - 28 97.

D_i	35 mm
D_o	39 mm
B	40 mm Tolerance: +/-0,25
	Recommended mounting tolerance:
	Shaft
	$d_w < 5$: h6
	$5 \leq d_w < 80$: f7
	$80 \leq d_w$: h8
	Housing
	$d_G \leq 5,5$: H6
	$5,5 < d_G$: H7
f	1,2 mm Tolerance: +/-0,4
$F_{i\max}$	0,7 mm
$F_{i\min}$	0,1 mm
s_3	2 mm
m	69,2 g Mass
C_r	196000 N Basic dynamic load rating, radial
C_{0r}	350000 N Basic static load rating, radial

Bushes in special sizes available by agreement.



(1) Butt joint



(1) $\geq 0,3 \text{ mm}$ (0,012 inch)