

FAG

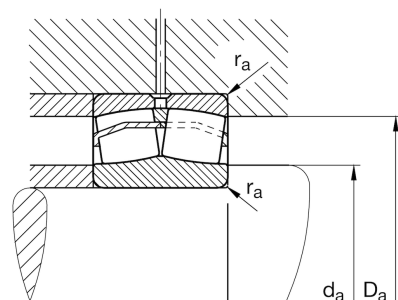
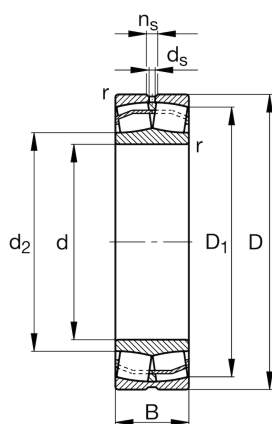
22312-E1-XL-T41A

Spherical roller bearing

Materiálové číslo Schaeffler:
0190197420000Spherical roller bearing 223..-E1-XL-T41A,
symmetric with cage guidance ring

X-life

Technické informace

**Main Dimensions & Performance Data**

d	60 mm	Bore diameter
D	130 mm	Outside diameter
B	46 mm	Width
C_r	310.000 N	Basic dynamic load rating, radial
C_{0r}	310.000 N	Basic static load rating, radial
C_{ur}	29.000 N	Fatigue load limit, radial
n_G	5.400 1/min	Limiting speed
n_{gr}	4.200 1/min	Reference speed
	3 kg	Hmotnost

Mounting dimensions

$d_{a \min}$	72 mm	Minimum diameter shaft shoulder
$D_{a \max}$	118 mm	Maximum diameter of housing shoulder
$r_{a \max}$	2,1 mm	Maximum recess radius

Dimensions

r_{\min}	2,1 mm	Minimum chamfer dimension
D_1	110,1 mm	Bore diameter outer ring
d_2	74,8 mm	Raceway diameter of the inner ring
d_s	3,2 mm	Diameter lubrication hole
n_s	6,5 mm	Width of lubricating groove

Temperature range

T_{\min}	-30 °C	Operating temperature min.
T_{\max}	200 °C	Operating temperature max.

Calculation factors

e	0,35	Limiting value of Fa/Fr for the applicability of diff. Values of factors X and Y
Y ₁	1,91	Dynamic axial load factor
Y ₂	2,85	Dynamic axial load factor
Y ₀	1,87	Static axial load factor