



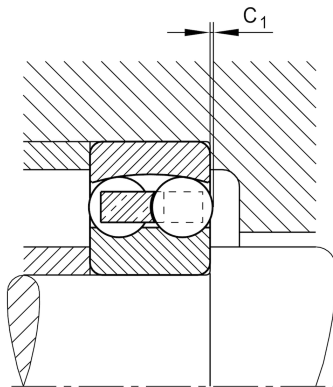
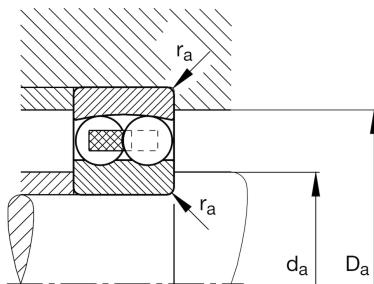
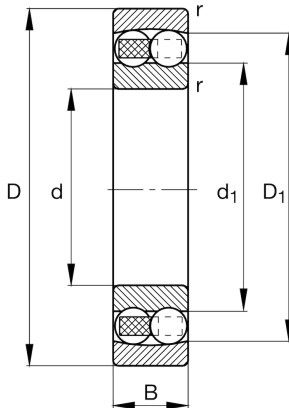
FAG

2318-M-C3

Self-aligning ball bearing

Materiálové číslo Schaeffler:
0384396970030Self-aligning ball bearing 23...-M, solid
brass cage

Technické informace

**Main Dimensions & Performance Data**

d	90 mm	Bore diameter
D	190 mm	Outside diameter
B	64 mm	Width
C_r	156.000 N	Basic dynamic load rating, radial
C_{0r}	58.000 N	Basic static load rating, radial
C_{ur}	3.100 N	Fatigue load limit, radial
n_G	5.100 1/min	Limiting speed
n_{gr}	5.000 1/min	Reference speed
	8,44 kg	Hmotnost

Mounting dimensions

$d_{a \min}$	104 mm	Minimum diameter shaft shoulder
$D_{a \max}$	176 mm	Maximum diameter of housing shoulder
$r_{a \max}$	2,5 mm	Maximum fillet radius

Dimensions

r_{\min}	3 mm	Minimum chamfer dimension
D_1	159,8 mm	Shoulder diameter outer ring
d_1	115,7 mm	Shoulder diameter inner ring
C_1	0,1 mm	Overhang rolling element

Temperature range

T_{\min}	-30 °C	Operating temperature min.
T_{\max}	150 °C	Operating temperature max.

Calculation factors

e	0,39	Limiting value of F_a/F_r for the applicability of diff. Values of factors X and Y
Y_1	1,64	Dynamic axial load factor
Y_2	2,53	Dynamic axial load factor
Y_0	1,71	Static axial load factor