

FAG

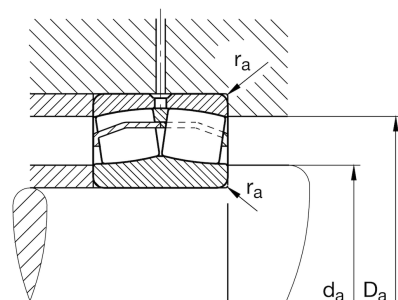
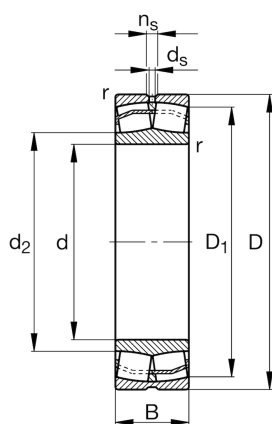
22312-E1-XL

Spherical roller bearing

Materiálové číslo Schaeffler:
0167052890000Spherical roller bearings 223...-E1, main
dimensions to DIN 635-2

X-life

Technické informace

**Main Dimensions & Performance Data**

d	60 mm	Bore diameter
D	130 mm	Outside diameter
B	46 mm	Width
C_r	310.000 N	Basic dynamic load rating, radial
C_{0r}	310.000 N	Basic static load rating, radial
C_{ur}	29.000 N	Fatigue load limit, radial
n_G	5.400 1/min	Limiting speed
n_{gr}	4.200 1/min	Reference speed
	2,94 kg	Hmotnost

Mounting dimensions

$d_{a\ min}$	72 mm	Minimum diameter shaft shoulder
$D_{a\ max}$	118 mm	Maximum diameter of housing shoulder
$r_{a\ max}$	2,1 mm	Maximum recess radius

Dimensions

$r_{\ min}$	2,1 mm	Minimum chamfer dimension
D_1	110,1 mm	Bore diameter outer ring
d_2	74,8 mm	Raceway diameter of the inner ring
d_s	3,2 mm	Diameter lubrication hole
n_s	6,5 mm	Width of lubricating groove

Temperature range

$T_{\ min}$	-30 °C	Operating temperature min.
$T_{\ max}$	200 °C	Operating temperature max.

Calculation factors

e	0,35	Limiting value of Fa/Fr for the applicability of diff. Values of factors X and Y
Y ₁	1,91	Dynamic axial load factor
Y ₂	2,85	Dynamic axial load factor
Y ₀	1,87	Static axial load factor