

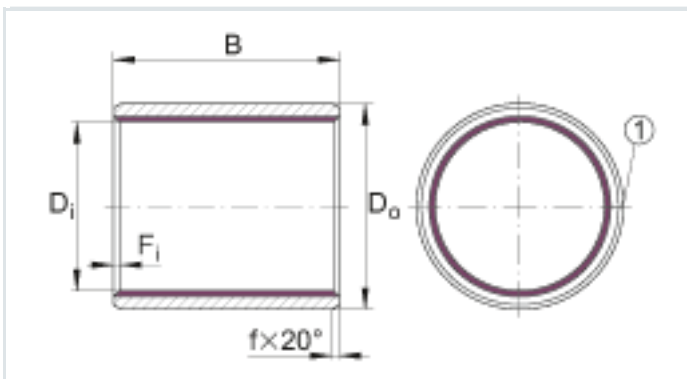
Bushes EGB4050-E40-B (Series EGB..-E40-B)

bushes, maintenance-free, with bronze backing

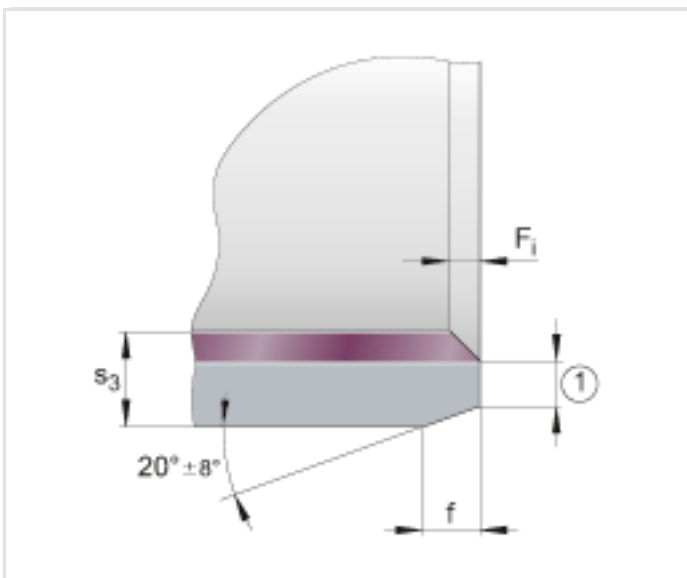
The datasheet is only an overview of dimensions and basic load ratings of the selected product. Please always observe all the guidelines in these overview pages. Further information is given on many products under the menu item "Description". You can also order comprehensive information via the Catalogue ordering system (https://www.schaeffler.de/content.schaeffler.de/en/news_media/index.jsp) or by telephone on +49 (91 32) 82 - 28 97.

Di	40 mm	
Do	44 mm	
B	50 mm	Tolerance: +/-0,25
<p>Recommended mounting tolerance: Shaft dW < 80: f7 dW >= 80: h8 Housing bore H7</p>		
f	1,2 mm	Tolerance: +/-0,4
Fi max	0,7 mm	
Fi min	0,1 mm	
s3	2 mm	

m	108 g	Mass
C_r	280000 N	Basic dynamic load rating, radial
C_{0r}	500000 N	Basic static load rating, radial
Bushes in special sizes available by agreement.		



(1) Butt joint



(1) $\geq 0,3$ mm (0,012 inch)