



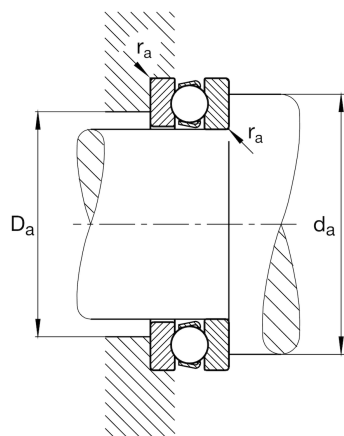
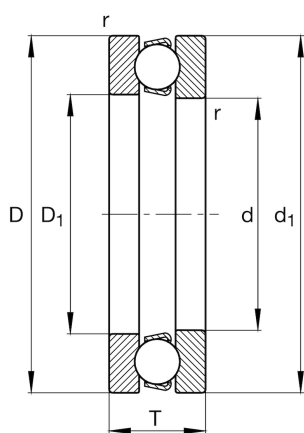
FAG

51318

Axial deep groove ball bearing

Materiálové číslo Schaeffler:
0167153900000Axial deep groove ball bearing 513, single
direction, steel sheet metal cage

Technické informace



Main Dimensions & Performance Data

d	90 mm	Inner diameter shaft washer
D	155 mm	Outer diameter housing washer
T	50 mm	Height
C_a	193.000 N	Basic dynamic load rating, axial
C_{0a}	455.000 N	Basic static load rating, axial
C_{ua}	18.800 N	Fatigue load limit, axial
n_G	2.240 1/min	Limiting speed
n_{gr}	4.050 1/min	Reference speed
	3,668 kg	{Hmotnost}

Mounting dimensions

$d_{a \min}$	129 mm	Minimum diameter shaft shoulder
$D_{a \max}$	116 mm	Maximum diameter of housing shoulder
$r_{a \max}$	1,5 mm	Maximum filled radius

Dimensions

r_{\min}	1,5 mm	Minimum chamfer dimension
D_1	93 mm	Inner diameter housing washer
d_1	155 mm	Outer diameter shaft washer

Temperature range

T_{\min}	-30 °C	Operating temperature min.
T_{\max}	150 °C	Operating temperature max.

Calculation factors

A	1,2	Minimum load factor
---	-----	---------------------