

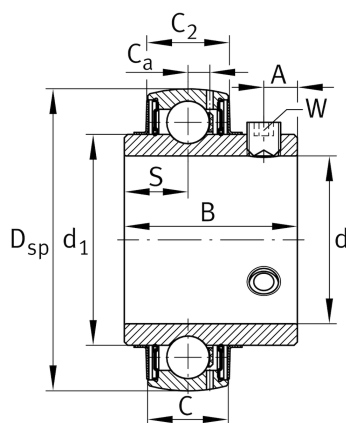
**FAG****UC215**

Radial insert ball bearing

Materiálové číslo Schaeffler:
0769002740000

Radial insert ball bearings UC, spherical
outer ring, location by grub screws, RSR
seals on both sides

Technické informace

**Main Dimensions & Performance Data**

d	75 mm	Bore diameter
D _{SP}	130 mm	Outside diameter
B	77,8 mm	Width
C _r	66.000 N	Basic dynamic load rating, radial
C _{0r}	44.500 N	Basic static load rating, radial
C _{ur}	1.880 N	Fatigue load limit, radial
	2,14 kg	Hmotnost

Dimensions

C	32 mm	Width, outer ring
C ₂	33,4 mm	Sealing total width
S	33,3 mm	Distance raceway
d ₁	90 mm	Rib diameter inner ring
C _a	8,5 mm	Distance to lubrication hole
A	12 mm	Distance thread
W	6 mm	Width of flats

Calculation factors

f ₀	14,6	Calculation factor
----------------	------	--------------------