

FAG

**WS22213-E1-XL-2RSR**

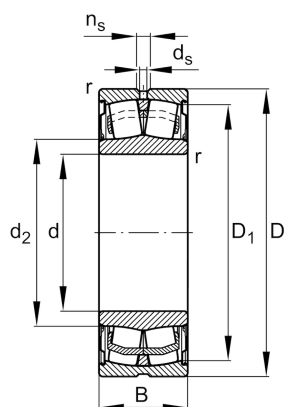
Spherical roller bearing

Schaeffler ID:  
0800244750000

Sealed spherical roller bearings WS222..-E1, lip seals on both sides, for continuous casting machines

X-life

## Technical information

**Main Dimensions & Performance Data**

d	65 mm	Bore diameter
D	120 mm	Outside diameter
B	38 mm	Width
C <sub>r</sub>	202.000 N	Basic dynamic load rating, radial
C <sub>0r</sub>	210.000 N	Basic static load rating, radial
C <sub>ur</sub>	26.500 N	Fatigue load limit, radial
n <sub>G</sub>	1.740 1/min	Limiting speed
	1,74 kg	Weight

**Mounting dimensions**

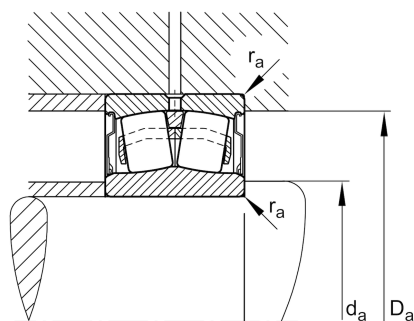
d <sub>a min</sub>	76,2 mm	Minimum diameter shaft shoulder
D <sub>a max</sub>	111 mm	Maximum diameter of housing shoulder
r <sub>a max</sub>	1,5 mm	Maximum recess radius

**Dimensions**

r <sub>min</sub>	1,5 mm	Minimum chamfer dimension
D <sub>1</sub>	110,2 mm	Bore diameter outer ring
d <sub>2</sub>	76,2 mm	Raceway diameter of the inner ring
d <sub>s</sub>	3,2 mm	Diameter lubrication hole
n <sub>s</sub>	6,5 mm	Width of lubricating groove

**Temperature range**

T <sub>min</sub>	-30 °C	Operating temperature min.
T <sub>max</sub>	100 °C	Operating temperature max.



**Calculation factors**

e	0,24	Limiting value of Fa/Fr for the applicability of diff. Values of factors X and Y
Y <sub>1</sub>	2,81	Dynamic axial load factor
Y <sub>2</sub>	4,19	Dynamic axial load factor
Y <sub>0</sub>	2,75	Static axial load factor