

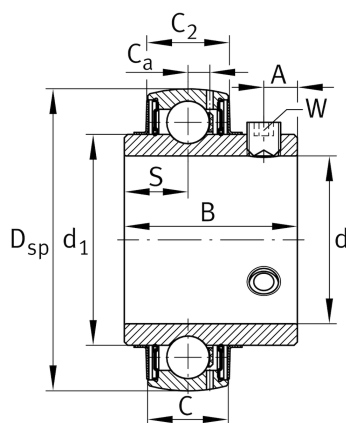
**FAG****UC205**

## Radial insert ball bearing

Materiálové číslo Schaeffler:  
0693201600000

Radial insert ball bearings UC, spherical  
outer ring, location by grub screws, RSR  
seals on both sides

## Technické informace

**Main Dimensions & Performance Data**

d	25 mm	Bore diameter
D <sub>SP</sub>	52 mm	Outside diameter
B	34,1 mm	Width
C <sub>r</sub>	14.900 N	Basic dynamic load rating, radial
C <sub>0r</sub>	7.800 N	Basic static load rating, radial
C <sub>ur</sub>	335 N	Fatigue load limit, radial
≈m	200 g	Hmotnost

**Dimensions**

C	17 mm	Width, outer ring
C <sub>2</sub>	17,6 mm	Sealing total width
S	14,3 mm	Distance raceway
d <sub>1</sub>	33,83 mm	Rib diameter inner ring
C <sub>a</sub>	4,2 mm	Distance to lubrication hole
A	5 mm	Distance thread
W	3 mm	Width of flats

**Temperature range**

T <sub>min</sub>	-20 °C	Operating temperature min.
T <sub>max</sub>	100 °C	Operating temperature max.

**Calculation factors**

f <sub>0</sub>	13,8	Calculation factor
----------------	------	--------------------