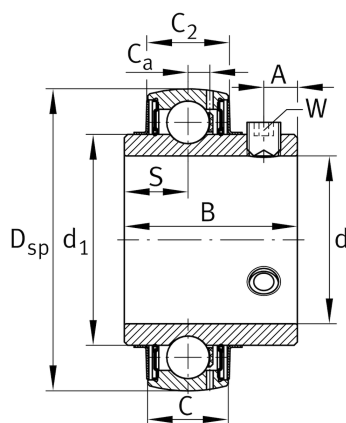


**FAG****UC216**

Radial insert ball bearing

Materiálové číslo Schaeffler:  
0770359250000Radial insert ball bearings UC, spherical  
outer ring, location by grub screws, RSR  
seals on both sides

## Technické informace

**Main Dimensions & Performance Data**

d	80 mm	Bore diameter
D <sub>SP</sub>	140 mm	Outside diameter
B	82,6 mm	Width
C <sub>r</sub>	76.000 N	Basic dynamic load rating, radial
C <sub>0r</sub>	54.000 N	Basic static load rating, radial
C <sub>ur</sub>	2.190 N	Fatigue load limit, radial
	2,71 kg	Hmotnost

**Dimensions**

C	33 mm	Width, outer ring
C <sub>2</sub>	34,4 mm	Sealing total width
S	33,3 mm	Distance raceway
d <sub>1</sub>	97 mm	Rib diameter inner ring
C <sub>a</sub>	9,3 mm	Distance to lubrication hole
A	14 mm	Distance thread
W	6 mm	Width of flats

**Calculation factors**

f <sub>0</sub>	14,7	Calculation factor
----------------	------	--------------------