

/medias/en!hp.ec.br.pr//medias/en!hp.pv/193.86.1.30N

1010-D-K-TVP-SP-XLN10..-K-TVP-SPHochgenauigkeits-Zylinderrollenlager



Super precision cylindrical roller bearings N1010-D-K-TVP-SP-XL (Series N10..-K-TVP-SP)

non-locating bearing, with tapered bore, taper 1:12, separable, with cage

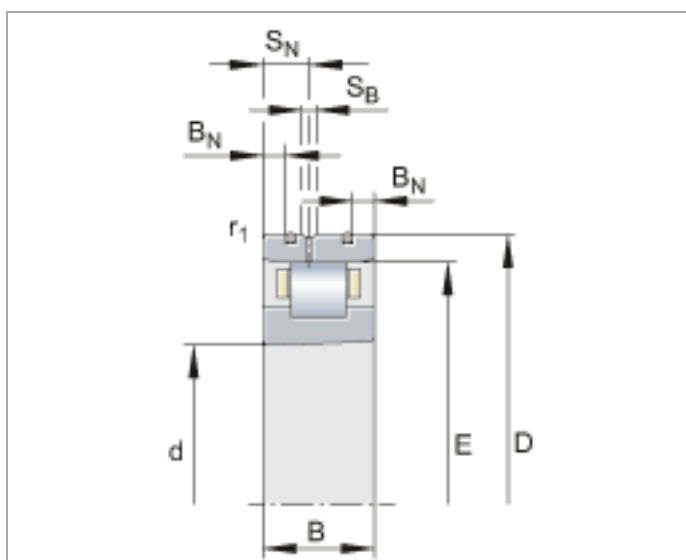
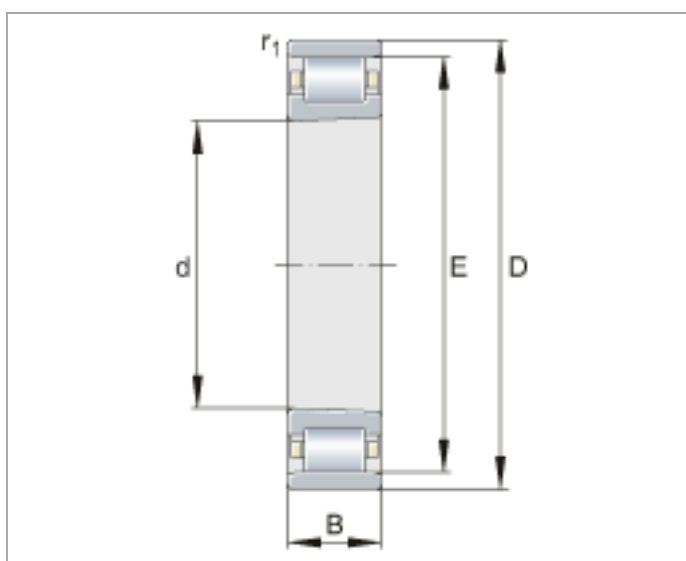
The datasheet is only an overview of dimensions and basic load ratings of the selected product. Please always observe all the guidelines in these overview pages. Further information is given on many products under the menu item "Description". You can also order comprehensive information via the Catalogue selection system

(https://www.schaeffler.de/content.schaeffler.de/en/news_media/index.jsp) or by telephone on +49 (91 32) 82 - 28 97.

d	50 mm
D	80 mm
B	16 mm
BN	3,4 mm
Da max	73,6 mm Tolerance: H12
da min	58,5 mm Tolerance: h12
E	72,5 mm
Etk 1 nom	71,2 mm
r1 min	0,6 mm
ra1 max	0,6 mm
s1	3,1 mm Axial displacement of outer ring from central position
s2	3,1 mm Axial displacement of outer ring from central position
Sb	1,4 mm
SN	9,3 mm
m	0,27 kg ≈ Mass

Cr	36500 N	Basic dynamic load rating, radial
Cor	36500 N	Basic static load rating, radial
Cur	5600 N	Fatigue limit load, radial
ng	14200 1/min	Limiting speed for grease lubrication
Fett		
ng	16800 1/min	Limiting speed for minimal quantity oil lubrication
Öl		

The bearings are also available by agreement as a Direct Lube design (suffix DLR).



Design: DLR

