

FAG

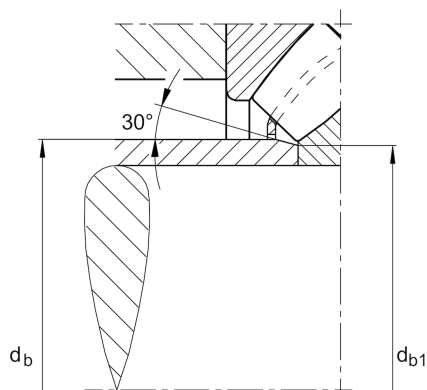
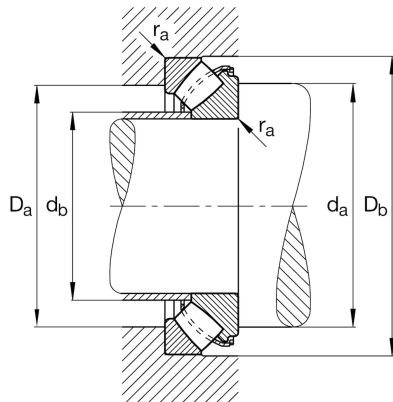
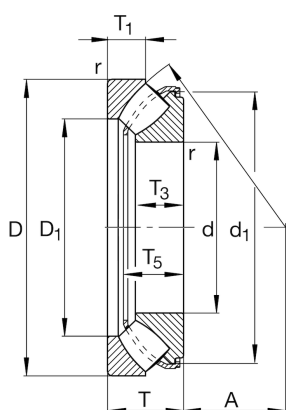
29415-E1-XL

Axial spherical roller bearing

Materiálové číslo Schaeffler:
0390003110000Axial spherical roller bearing 294..-E1-XL,
no flanging ring

X-life

Technické informace

**Main Dimensions & Performance Data**

d	75 mm	Bore diameter
D	160 mm	Outside diameter
T	51 mm	Height
C_a	650.000 N	Basic dynamic load rating, axial
C_{0a}	1.540.000 N	Basic static load rating, axial
C_{ua}	179.000 N	Fatigue load limit, axial
n_G	4.700 1/min	Limiting speed
n_{gr}	2.260 1/min	Reference speed
	4,46 kg	Hmotnost

Mounting dimensions

$d_{a \min}$	115 mm	Minimum diameter shaft shoulder
$D_{a \max}$	132 mm	Maximum diameter of housing shoulder
$D_{b \min}$	163 mm	Minimum bore diameter housing
$d_{b \max}$	82,5 mm	Maximum distance sleeve
$r_{a \max}$	2 mm	Maximum recess radius

Dimensions

D_1	105,5 mm	Bore diameter housing washer
d_1	142,3 mm	Rip diameter shaft washer
r_{\min}	2 mm	Minimum chamfer dimension
T_1	24,5 mm	Height of the housing washer
T_3	33,5 mm	Height of the shaft washer
T_5	46 mm	Distance shaft washer - cage
A	47 mm	Distance of the center point

Temperature range

T_{\min}	-30 °C	Operating temperature min.
T_{\max}	200 °C	Operating temperature max.