



## EGW52-E40-Z

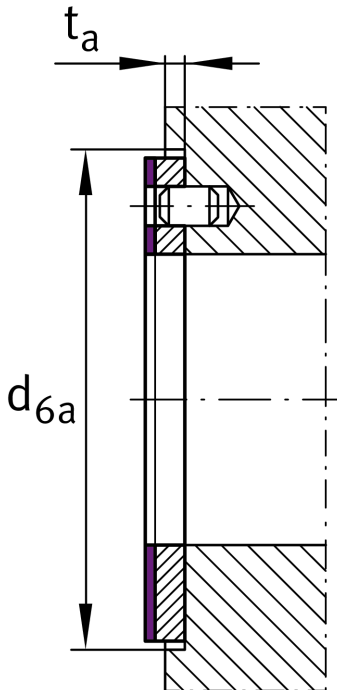
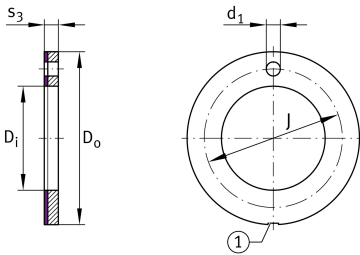
Thrust washer

Materiálové číslo Schaeffler:  
0707056150000

Thrust washer, maintenance-free, material  
in accordance with ISO 3547-4, with steel  
backing



### Technické informace



### Main Dimensions & Performance Data

$D_i$	52 mm	Inner diameter
$s_3$	2 mm	Wall thickness
$C_a$	372.000 N	Basic dynamic load rating, axial
$C_{0a}$	664.000 N	Basic static load rating, axial
	39,8 g	Hmotnost

### Dimensions

J	65 mm	Pitch circle
$d_1$	4 mm	Fixing hole diameter
$t_a$	1,5 mm	Mounting dimension
$d_{6a}$	78 mm	Mounting dimension $d_{6a}$
$D_{iOT}$	0,25 mm	Inner diameter, upper tolerance
$D_{iUT}$	0 mm	Inner diameter, lower tolerance
$D_o$	78 mm	Outer Diameter
$D_{oOT}$	0 mm	Outside diameter, upper tolerance
$D_{oUT}$	-0,25 mm	Outside diameter, lower tolerance
$s_{3OT}$	0 mm	Wall thickness, upper tolerance
$s_{3UT}$	-0,05 mm	Wall thickness, lower tolerance
$J_{OT}$	0,12 mm	Pitch circle, upper tolerance
$J_{UT}$	-0,12 mm	Pitch circle, lower tolerance
$d_{1OT}$	0,4 mm	Fixing hole diameter, upper tolerance
$d_{1UT}$	0,1 mm	Fixing hole diameter, lower tolerance
$t_{aOT}$	0,2 mm	Mounting dimension, upper tolerance
$t_{aUT}$	-0,2 mm	Mounting dimension, lower tolerance
$d_{6aOT}$	0,12 mm	Mounting dimension $d_{6a}$ , upper tolerance
$d_{6aUT}$	-0,12 mm	Mounting dimension $d_{6a}$ , lower tolerance

**Temperature range**

T <sub>min</sub>	-200 °C	Operating temperature min.
T <sub>max</sub>	280 °C	Operating temperature max.