



FAG

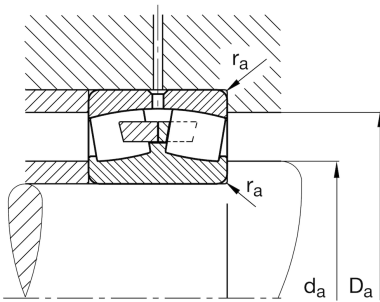
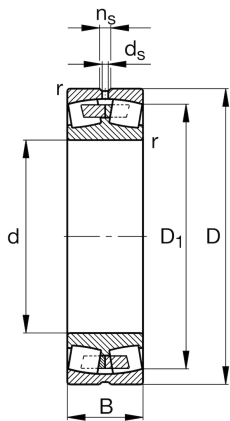
23226-E1A-XL-M

Spherical roller bearing

Schaeffler ID:
0190016140000Spherical roller bearings 232...-E1A, main
dimensions to DIN 635-2

X-life

Technical information

**Main Dimensions & Performance Data**

d	130 mm	Bore diameter
D	230 mm	Outside diameter
B	80 mm	Width
C_r	910 000 N	Basic dynamic load rating, radial
C_{0r}	1 150 000 N	Basic static load rating, radial
C_{ur}	91 000 N	Fatigue load limit, radial
n_G	2 850 1/min	Limiting speed
n_{gr}	1 740 1/min	Reference speed
	14,018 kg	Weight

Additional information

r_{min}	3 mm	Minimum chamfer dimension
D_1	199,3 mm	Bore diameter outer ring
d_s	4,8 mm	Diameter lubrication hole
n_s	9,5 mm	Width of lubricating groove

Mounting dimensions

$d_{a min}$	144 mm	Minimum diameter shaft shoulder
$D_{a max}$	216 mm	Maximum diameter of housing shoulder
$r_{a max}$	2,5 mm	Maximum recess radius

Calculation factors

e	0,33	Limiting value of F_a/F_r for the applicability of diff. Values of factors X and Y
Y_1	2,07	Dynamic axial load factor
Y_2	3,09	Dynamic axial load factor
Y_0	2,03	Static axial load factor

Temperature range

T _{min}	-30 °C	Operating temperature min.
T _{max}	200 °C	Operating temperature max.