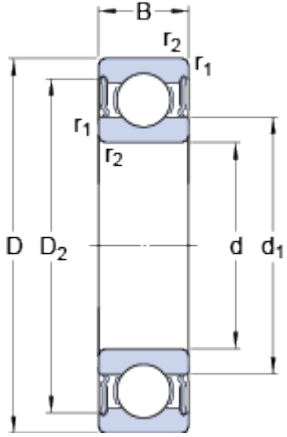


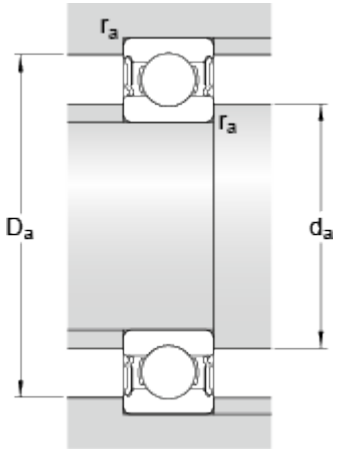
# 61809-2RS1

## Dimensions



d	45	mm
D	58	mm
B	7	mm
d <sub>1</sub>	≈ 48.2	mm
D <sub>2</sub>	≈ 55.4	mm
r <sub>1,2</sub>	min. 0.3	mm

## Abutment dimensions



d <sub>a</sub>	min. 47	mm
d <sub>a</sub>	max. 49	mm
D <sub>a</sub>	max. 56	mm
r <sub>a</sub>	max. 0.3	mm

## Calculation data

Basic dynamic load rating	C	6.63	kN
Basic static load rating	C <sub>0</sub>	6.1	kN
Fatigue load limit	P <sub>u</sub>	0.26	kN
Limiting speed		6700	r/min
Calculation factor	k <sub>r</sub>	0.015	
Calculation factor	f <sub>0</sub>	17	

## Mass

Mass bearing		0.04	kg
--------------	--	------	----