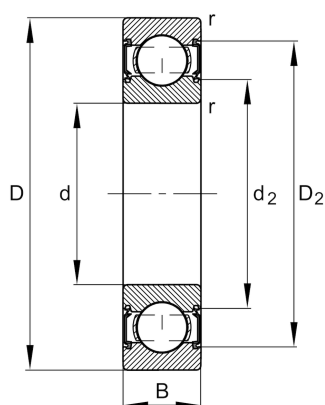


**FAG****6001-C-2HRS>V**

Deep groove ball bearing

Materiálové číslo Schaeffler:
0954046510000Deep groove ball bearing 60...-C-2HRS,
single row, Generation C, seals, steel
sheet metal cage

Technické informace

**Main Dimensions & Performance Data**

d	[12] mm	Bore diameter
D	[28] mm	Outside diameter
B	[8] mm	Width
C_r	[5.900] N	Basic dynamic load rating, radial
C_{0r}	[2.370] N	Basic static load rating, radial
C_{ur}	[164] N	Fatigue load limit, radial
n_G	[24.900] 1/min	Limiting speed
	[0,02] kg	{Hmotnost}

Mounting dimensions

$d_{a\min}$	[14] mm	Minimum diameter shaft shoulder
$D_{a\max}$	[26] mm	Maximum diameter of housing shoulder
$r_{a\max}$	[0,3] mm	Maximum fillet radius

Dimensions

r_{\min}	[0,3] mm	Minimum chamfer dimension
D_2	[25,1] mm	Caliber diameter outer ring
d_2	[15,69] mm	Caliber diameter inner ring

Temperature range

T_{\min}	[-20] °C	Operating temperature min.
T_{\max}	[100] °C	Operating temperature max.

Calculation factors

f_0	[13,1]	Calculation factor
-------	--------	--------------------

