

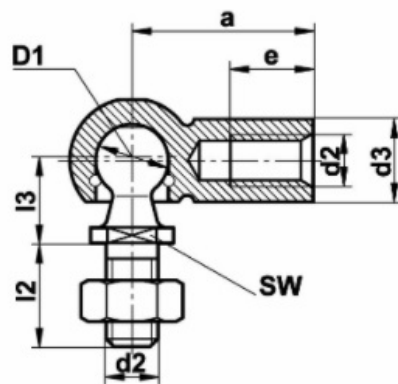
Angle Joints

Angle Joints to DIN 71802

Consisting of ball stud to DIN 71803 and ball journal to DIN 71805

Form C with threaded stud and hexagon nut.

Form CS with threaded stud, hexagon nut and external clip.



Form C



Form CS



Size (D)	a ± 0,3	d2	d3 ± 0,5	d4 ± 0,5	e min	l2 ± 0,3	l3 ± 0,3	SW h14	α1 (°)	α 2 (°)	Weight g
8	22	M 5	8	12,8	10,2	10,2	9	7	18	10	15,2
10	25	M 6	10	14,8	11,5	12,5	11	8	18	15	25,2
13	30	M 8	13	19,3	14	16,5	13	11	18	15	53,1
16	35	M 10	16	24	15,5	20	16	13	18	15	104
16	35	M 12	16	24	15,5	20	16	13	18	15	104
19	45	M 14x1,5	22	30	21,5	28	20	16	18	15	221
19	45	M 14x2	22	30	21,5	28	20	16	18	15	221

Materials:

Ball journal: Steel, minimum strength $R_m = 500 \text{ N/mm}^2$

Ball stud: Steel, minimum strength $R_m = 600 \text{ N/mm}^2$

Surface: Blanc, zinc plated white, on request: yellow or black chromated

Alternative: Stainless steel to 1.4305, Aisi 303