

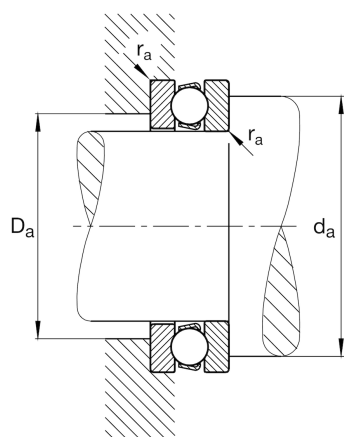
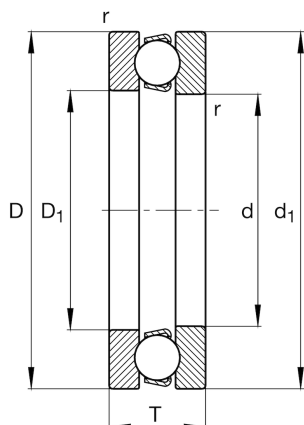
FAG

51126

Axial deep groove ball bearing

Schaeffler ID:  
0167148650000Axial deep groove ball bearing 511, single  
direction, steel sheet metal cage

## Technical information



## Main Dimensions &amp; Performance Data

d	130 mm	Bore diameter
D	170 mm	Outside diameter
T	30 mm	Height
$C_a$	111 000 N	Basic dynamic load rating, axial
$C_{0a}$	390 000 N	Basic static load rating, axial
$C_{ua}$	14 600 N	Fatigue load limit, axial
$n_G$	2 850 1/min	Limiting speed
$n_{gr}$	2 490 1/min	Reference speed
	1,757 kg	Weight

## Dimensions

$r_{min}$	1 mm	Minimum chamfer dimension
$D_1$	132 mm	Bore diameter housing washer
$d_1$	170 mm	Lip diameter shaft washer

## Mounting dimensions

$d_{a min}$	154 mm	Minimum diameter shaft shoulder
$D_{a max}$	146 mm	Maximum diameter of housing shoulder
$r_{a max}$	1 mm	Maximum recess radius

## Calculation factors

A	0,76	Minimum load factor
---	------	---------------------

## Temperature range

$T_{min}$	-30 °C	Operating temperature min.
$T_{max}$	150 °C	Operating temperature max.