



## PCFT35-XL

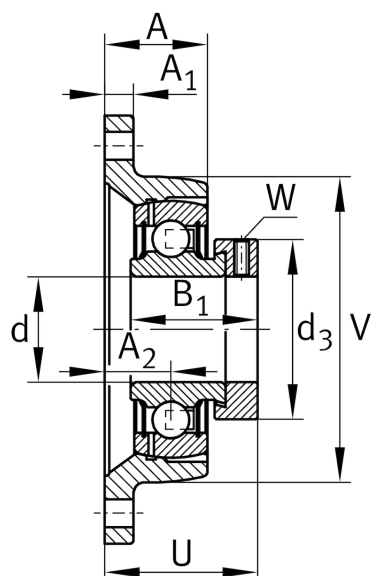
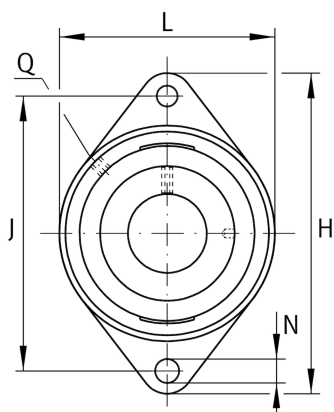
### Flanged housing unit

Materiálové číslo Schaeffler:  
0008316030000

Housing units PCFT, two-bolt flanged housing units, cast iron, eccentric locking collar, P seals

X-life

#### Technické informace



#### Main Dimensions & Performance Data

d	35 mm	Bore diameter
L	92 mm	Flange width
H	155 mm	Height flange
U	44,9 mm	Total height unit
C <sub>r</sub>	25.500 N	Basic dynamic load rating, radial
C <sub>0r</sub>	15.300 N	Basic static load rating, radial
C <sub>ur</sub>	650 N	Fatigue load limit, radial
≈m	1,06 kg	Hmotnost

#### Mounting dimensions

J	130 mm	Distance fixing bore
N	14 mm	Fixing bore
n	2	Number of screwing holes

#### Dimensions

A	25 mm	Height housing
A <sub>1</sub>	12,5 mm	Thickness of flange
A <sub>2</sub>	15,5 mm	Distance raceway
V	92 mm	Shoulder diameter housing
Q	M6	Connection thread for lubrication
d <sub>3</sub>	55 mm	Outside diameter locking collar

#### Additional information

1	Number of housings
CFT07	Housing
GRAE35-XL-NPP-B	Bearing designation

#### Temperature range

T <sub>min</sub>	-20 °C	Operating temperature min.
T <sub>max</sub>	120 °C	Operating temperature max.