

FAG

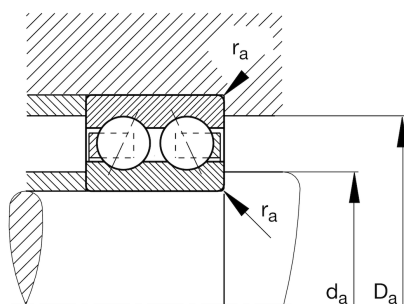
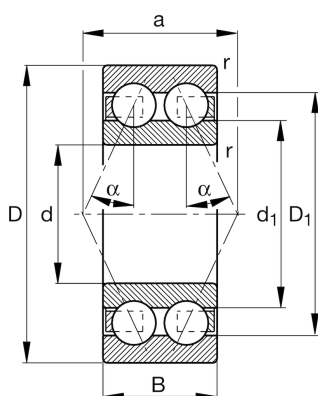
3308-BD-XL

Angular contact ball bearing

Materiálové číslo Schaeffler:
0713244530000Angular contact ball bearing 33.-BD-XL,
double row, X-life, steel sheet metal cage

X-life

Technické informace



Main Dimensions & Performance Data

d	40,00 mm	Bore diameter
D	90,00 mm	Outside diameter
B	36,50 mm	Width
C_r	67.000,00 N	Basic dynamic load rating, radial
C_{0r}	48.500,00 N	Basic static load rating, radial
C_{ur}	3.350,00 N	Fatigue load limit, radial
n_G	8.000,00 1/min	Limiting speed
n_{gr}	7.000,00 1/min	Reference speed
	0,99 kg	Hmotnost

Mounting dimensions

$d_{a \min}$	49,00 mm	Minimum diameter shaft shoulder
$D_{a \max}$	81,00 mm	Maximum diameter of housing shoulder
$r_{a \max}$	1,50 mm	Maximum fillet radius

Dimensions

r_{\min}	1,50 mm	Minimum chamfer dimension
D_1	77,00 mm	Shoulder diameter outer ring
d_1	59,00 mm	Shoulder diameter inner ring
a	53,10 mm	Distance between the apexes of the pressure cones
α	30,00 °	Contact angle

Temperature range

T_{\min}	-30,00 °C	Operating temperature min.
T_{\max}	120,00 °C	Operating temperature max.