



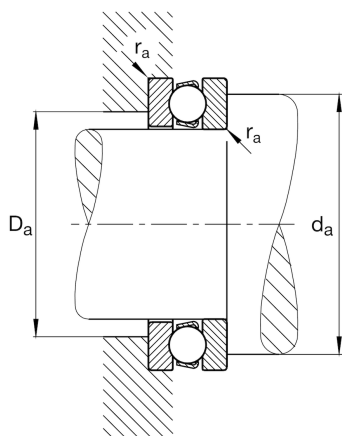
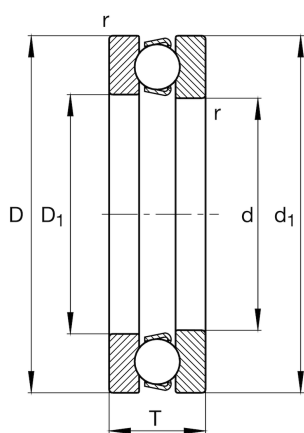
FAG

**51305**

Axial deep groove ball bearing

Materiálové číslo Schaeffler:  
0167152760000Axial deep groove ball bearing 513, single  
direction, steel sheet metal cage

## Technické informace

**Main Dimensions & Performance Data**

d	25 mm	Inner diameter shaft washer
D	52 mm	Outer diameter housing washer
T	18 mm	Height
$C_a$	34.500 N	Basic dynamic load rating, axial
$C_{0a}$	55.000 N	Basic static load rating, axial
$C_{ua}$	2.500 N	Fatigue load limit, axial
$n_G$	6.000 1/min	Limiting speed
$n_{gr}$	10.400 1/min	Reference speed
	0,171 kg	{Hmotnost}

**Mounting dimensions**

$d_{a \min}$	41 mm	Minimum diameter shaft shoulder
$D_{a \max}$	36 mm	Maximum diameter of housing shoulder
$r_{a \max}$	1 mm	Maximum fillet radius

**Dimensions**

$r_{\min}$	1 mm	Minimum chamfer dimension
$D_1$	27 mm	Inner diameter housing washer
$d_1$	52 mm	Outer diameter shaft washer

**Temperature range**

$T_{\min}$	-30 °C	Operating temperature min.
$T_{\max}$	150 °C	Operating temperature max.

**Calculation factors**

A	0,019	Minimum load factor
---	-------	---------------------