



Internal puller 4300 series

User's Manual



4300



4390



4392

INDICE

1. Technical features
2. Puller dimensions
3. User instructions
4. Exploded view
5. Slide hammer
6. Push puller
7. Extenders for the collets



1. TECHNICAL FEATURES



Internal Puller.

Elastic type collet.

It covers the entire arc of the bearing with its multiple cuts from 2, in the very small collets, to six in the largest.

Made of CrVa material.

From the 4320 collet, the pressure spindle has an insert point, hardened at 55HRc. Thus, the collets can be opened smoothly.

With two extraction systems:

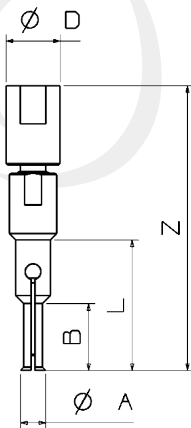
- slide hammer
- push puller with jaws

They can be directly adapted to both pullers without any adapter

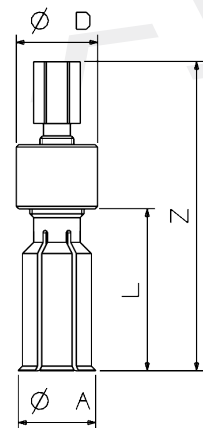
2. PULLER DIMENSIONS



4305 - 4308



Resto de modelos



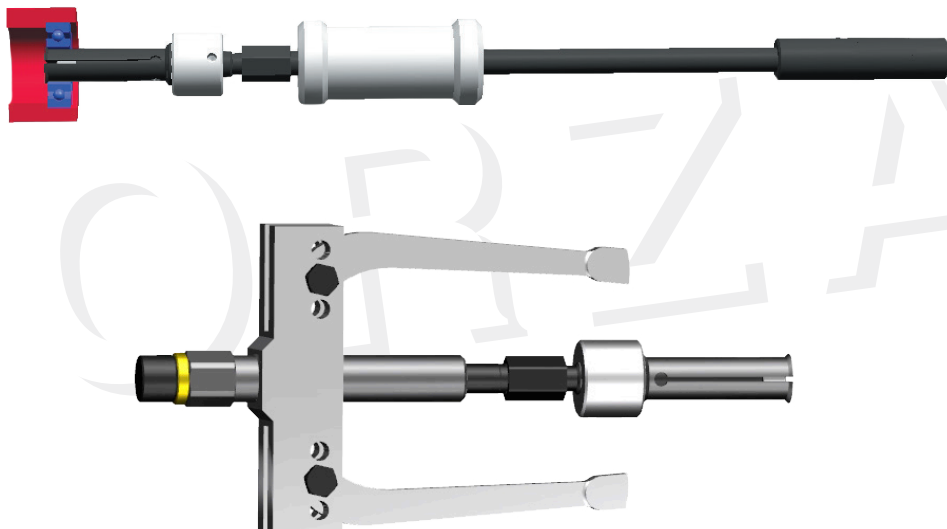
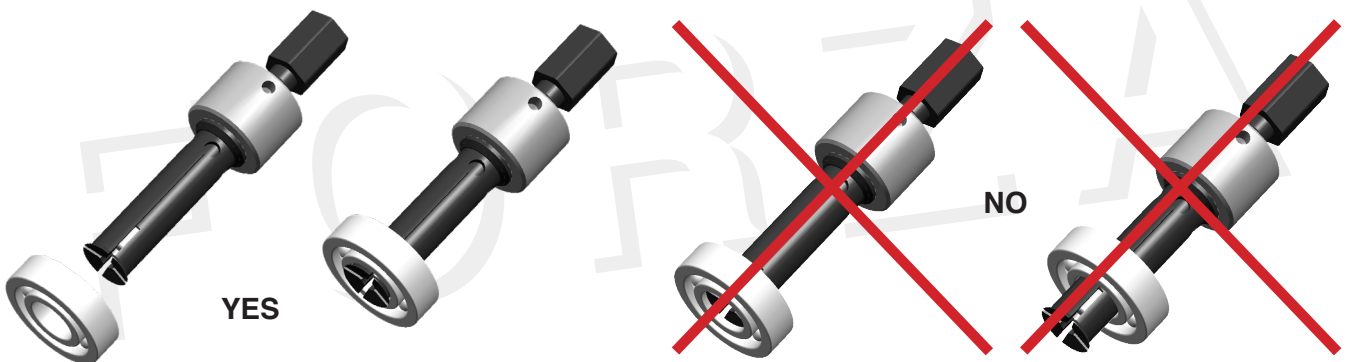
Ref.	ØA min.	ØA max.	B	L	Z	ØD	Weigth
4305	5	7	8	27	82	15	0,08
4308	8	11	20	40	90	15	0,09
4312	12	14		64	108	33	0,27
4315	15	19		64	125		0,27
4320	20	24		65	125		0,32
4325	25	29		65	125		0,37
4330	30	37		65	125		0,42
4338	38	46		65	125		0,55
4347	47	54		88	175	45	1,32
4355	55	64		89	175		1,58
4365	65	76		89	175		1,95

3. USER INSTRUCTIONS

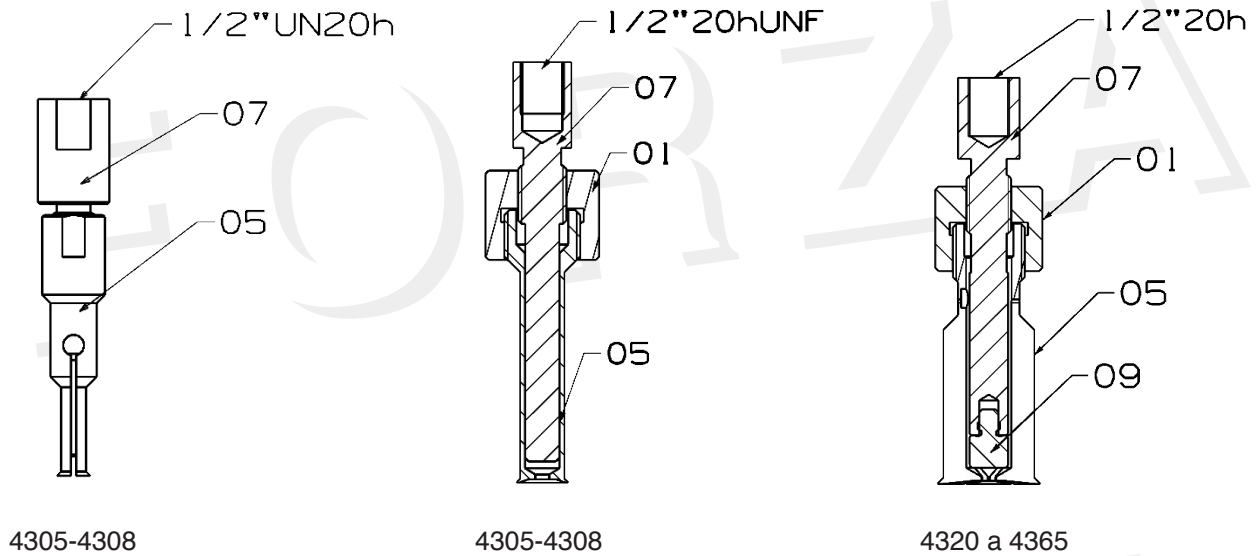


1. Use all the necessary personal protective equipment (PPE)
2. Choose the right collet according to the part to be extracted. Choose always the largest model as possible.
3. Insert the collet into the hole without reaching the bottom. Tighten the spindle slightly.
4. Continue inserting the collet until it reaches the bearing radius. You will notice a click and the collet starts to loosen.
5. Re-open the collet as much as possible by turning the spindle.
6. Pull out the collet with the 4392 push puller or with the 4390 slide hammer.

4300 user instructions



4. EXPLODED VIEW



Adapter



Collet



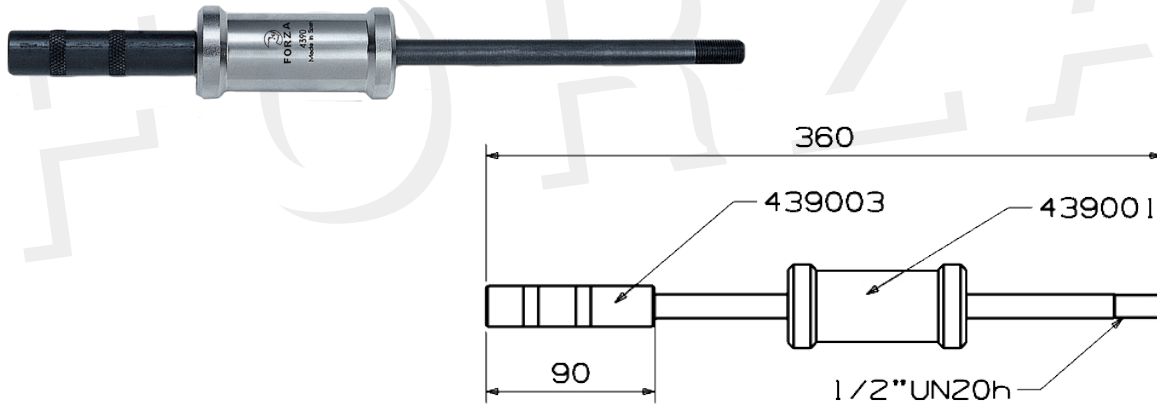
spindle

The collets' spindles which are greater than 4320, have a swivel point, to improve the opening of the collet. The completed spindle reference is 432030. This reference includes the spindle 432007 and the point 432009.

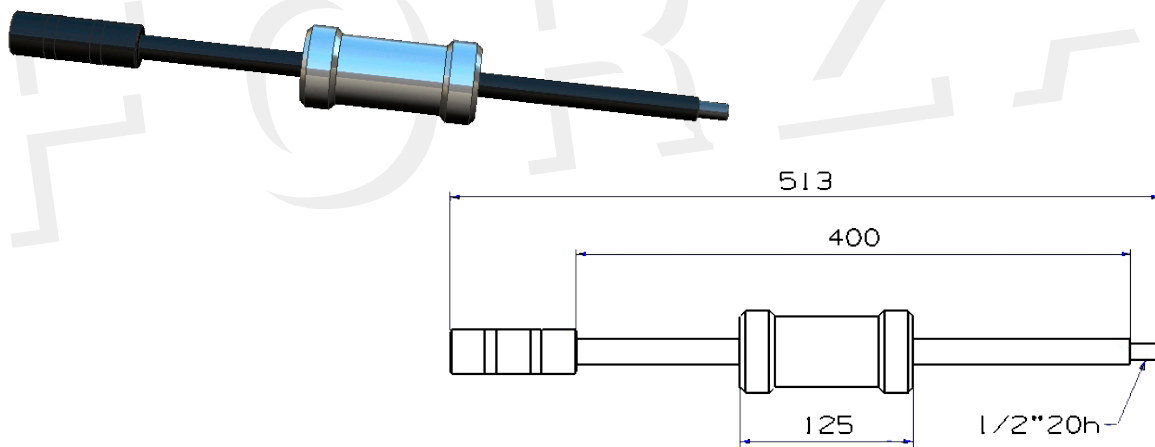
Ref.	Weigth	Collet	Adapter	Spindle
4305	0,08	430505	no	430507
4308	0,09	430805	no	430807
4312	0,27	431205	431201	431207
4315	0,27	431505		431207
4320	0,32	432005		432030
4325	0,37	432505		
4330	0,42	433005		
4338	0,55	433805	434701	434730
4347	1,32	434705		
4355	1,58	435505		
4365	1,95	436505		

■ **5. SLIDE HAMMER**

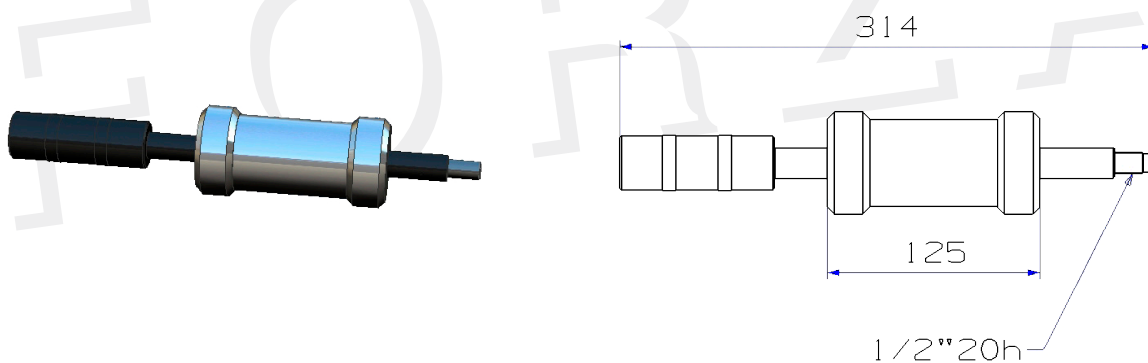
The slide hammer of 1kg (4390) is the most common for these type of collets.
 Can be assembled with all the collets without any adapter.



It is possible to assemble the slide hammer of 2 kg (4394) in order to work with higher extraction force.

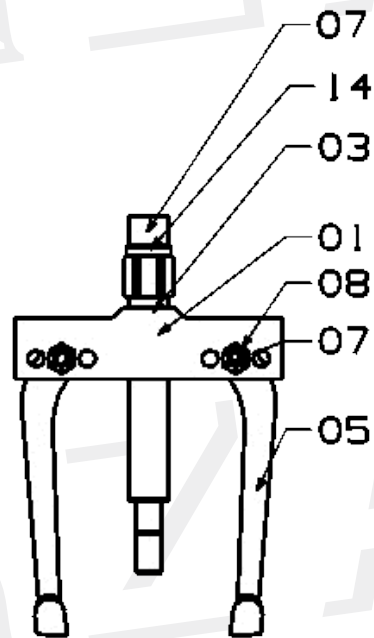
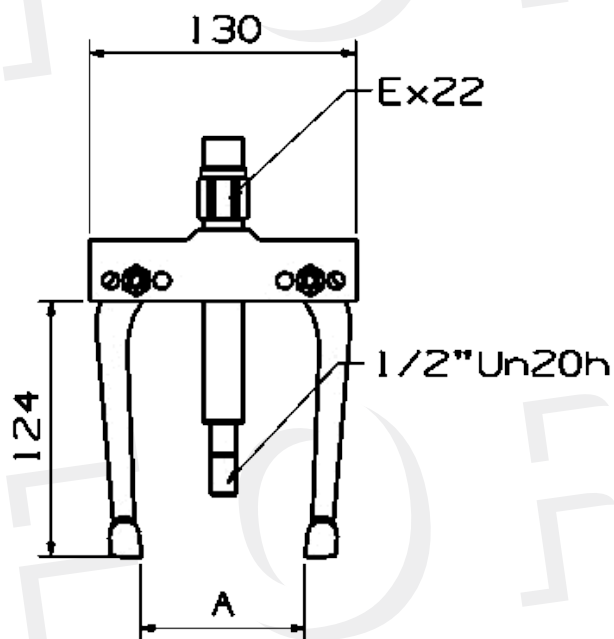


If it is necessary, this bar can be mounted in the short position.



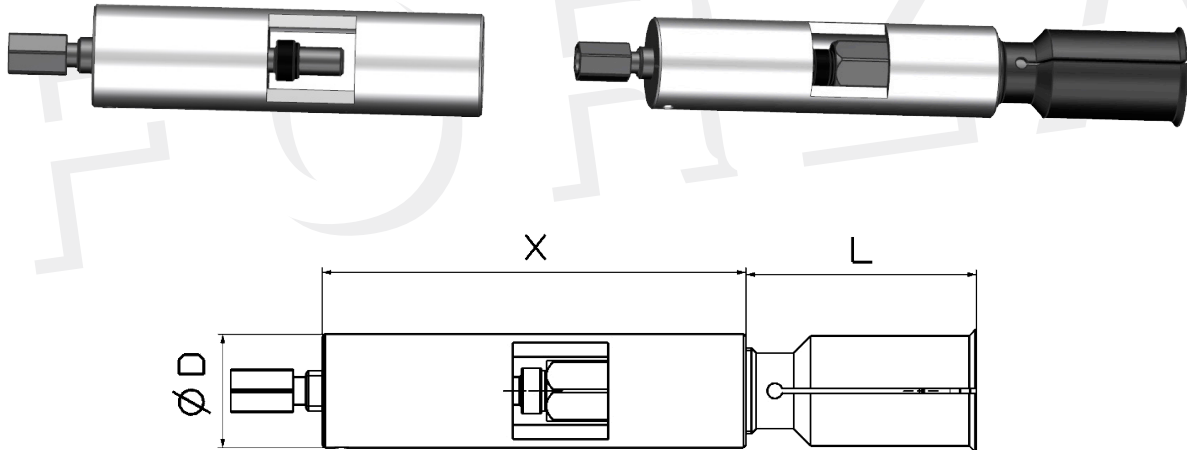
■ 6. 4392 PUSH PULLER

All collets can be assembled in this push puller without any adapter.



7. EXTENDERS FOR THE COLLETS

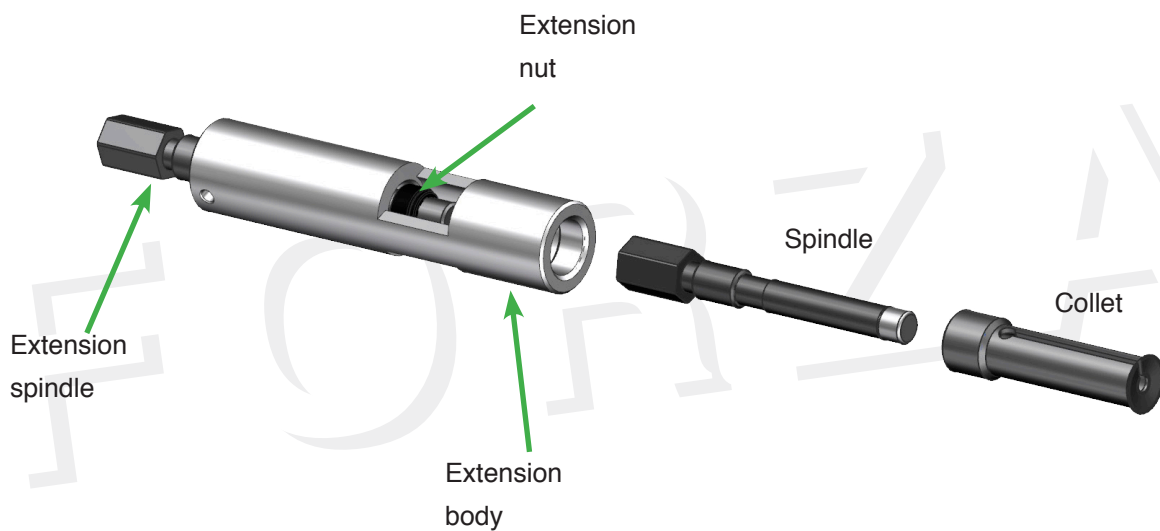
Adapters are available in order to increase the length of the collets.

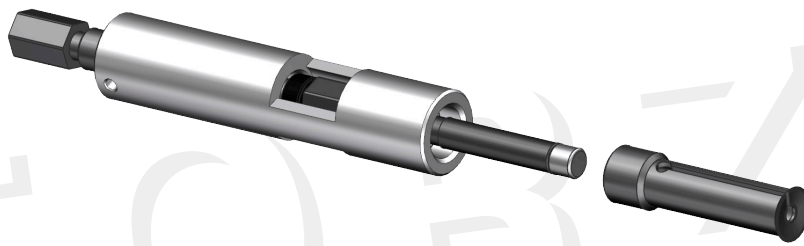


Referencia	ØD	X	Peso
431250	33	150	0,14
434750	45	170	0,16

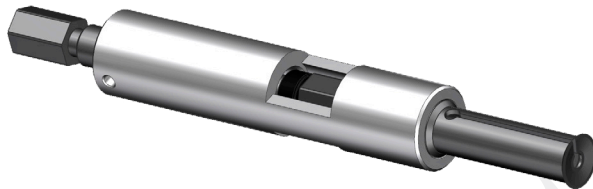
The 431250 extension is for collets from 4312 to 4338.

The 434750 extension is for collets from 4347 to 4365





Mount the collet by screwing it to the extension.
Fix the thread by tightening the nut against the spindle



It is ready for use.



S.L. de Herramientas Especiales Forza

C/ San Miguel de Atxa, 24

01010 Vitoria

www.forza.es
