

FAG

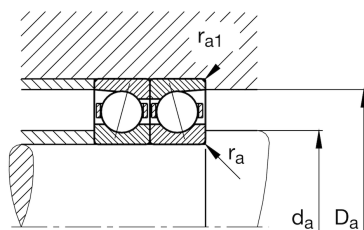
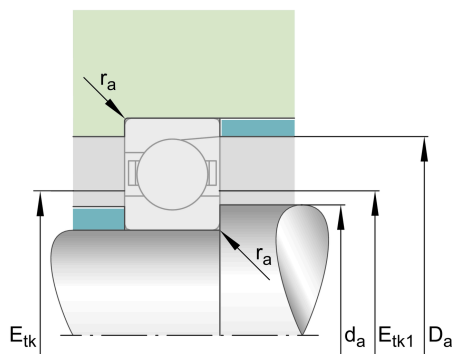
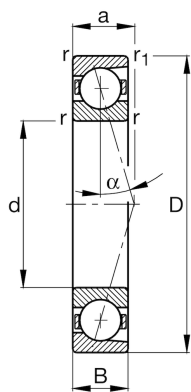
B7207-E-T-P4S-UL

Spindle bearing

Materiálové číslo Schaeffler:
0191562860000

Spindle bearings B72...-E, adjusted, in pairs or sets, contact angle $\alpha = 25^\circ$, restricted tolerances

Technické informace

**Main Dimensions & Performance Data**

d	35,00 mm	Bore diameter
D	72,00 mm	Outside diameter
B	17,00 mm	Width
C_r	24.500,00 N	Basic dynamic load rating, radial
C_{0r}	12.100,00 N	Basic static load rating, radial
C_{ur}	1.280,00 N	Fatigue load limit, radial
$n_{G \text{ Grease}}$	19.000,00 1/min	Limiting speed for grease lubrication
$n_{G \text{ Oil}}$	32.000,00 1/min	Limiting speed for oil lubrication
	0,29 kg	Hmotnost

Mounting dimensions

d_a	44,00 mm	Diameter shaft shoulder
d_a	h12	Diameter shaft shoulder clearance
D_a	63,00 mm	Shoulder diameter outer ring
D_a	H12	Shoulder diameter outer ring clearance
$r_{a \text{ max}}$	1,00 mm	Maximum recess radius
$r_{a1 \text{ max}}$	0,30 mm	Maximum recess radius
$E_{tk \text{ min}}$	47,80 mm	Minimum diameter injection pitch
$E_{tk \text{ max}}$	51,00 mm	Maximum diameter injection pitch
$E_{tk1 \text{ min}}$	47,80 mm	Minimum diameter injection pitch
$E_{tk1 \text{ max}}$	51,00 mm	Maximum diameter injection pitch
a	21,00 mm	Distance between the apexes of the pressure cones

Dimensions

r_{min}	1,10 mm	Minimum chamfer dimension
$r_{1 \text{ min}}$	1,10 mm	Minimum chamfer dimension
α	25,00 °	Contact angle

Temperature range

T_{\min}	-30,00 °C	Operating temperature min.
T_{\max}	100,00 °C	Operating temperature max.

Additional information

F_{VL}	195,00 N	Preload force light
F_{VM}	710,00 N	Preload force medium
F_{VH}	1.504,00 N	Preload force heavy
K_{aEL}	570,00 N	Lift-off force light
K_{aEM}	2.152,00 N	Lift-off force medium
K_{aEH}	4.730,00 N	Lift-off force heavy
c_{aL}	103,00 N/μm	Axial rigidity light
c_{aM}	169,00 N/μm	Axial rigidity medium
c_{aH}	232,00 N/μm	Axial rigidity heavy