

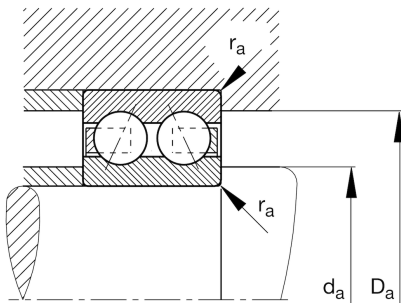
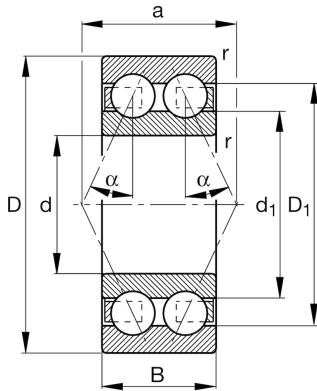
FAG

3216-B-TVH-C3

Angular contact ball bearing

Materiálové číslo Schaeffler:
0167124390030Angular contact ball bearing 32..-B-TVH,
double row, plastic cage

Technické informace

**Main Dimensions & Performance Data**

d	[80] mm	Bore diameter
D	[140] mm	Outside diameter
B	[44,4] mm	Width
C_r	[99.000] N	Basic dynamic load rating, radial
C_{0r}	[102.000] N	Basic static load rating, radial
C_{ur}	[5.100] N	Fatigue load limit, radial
n_G	[3.650] 1/min	Limiting speed
n_{gr}	[5.100] 1/min	Reference speed
	[2,32] kg	\$(Hmotnost)\$

Mounting dimensions

$d_{a\ min}$	[91] mm	Minimum diameter shaft shoulder
$D_{a\ max}$	[129] mm	Maximum diameter of housing shoulder
$r_{a\ max}$	[2] mm	Maximum fillet radius

Dimensions

$r_{\ min}$	[2] mm	Minimum chamfer dimension
D_1	[120,3] mm	Shoulder diameter outer ring
d_1	[98,8] mm	Shoulder diameter inner ring
a	[69,1] mm	Distance between the apexes of the pressure cones
α	[25] °	Contact angle

Temperature range

$T_{\ min}$	[-20] °C	Operating temperature min.
$T_{\ max}$	[120] °C	Operating temperature max.