

FAG

WS22215-E1-XL-2RSR

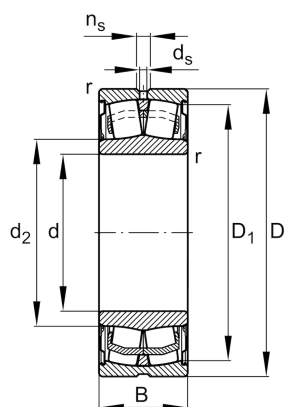
Spherical roller bearing

Materiálové číslo Schaeffler:
0800260950000

Sealed spherical roller bearings WS222..-E1, lip seals on both sides, for continuous casting machines

X-life

Technické informace



Main Dimensions & Performance Data

d	75 mm	Bore diameter
D	130 mm	Outside diameter
B	38 mm	Width
C_r	216.000 N	Basic dynamic load rating, radial
C_{0r}	237.000 N	Basic static load rating, radial
C_{ur}	30.500 N	Fatigue load limit, radial
n_G	1.630 1/min	Limiting speed
	1,961 kg	Hmotnost

Mounting dimensions

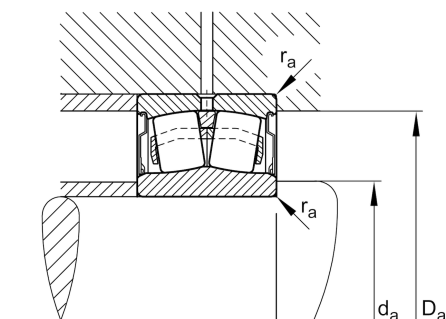
$d_{a \min}$	84 mm	Minimum diameter shaft shoulder
$D_{a \max}$	121 mm	Maximum diameter of housing shoulder
$r_{a \max}$	1,5 mm	Maximum recess radius

Dimensions

r_{\min}	1,5 mm	Minimum chamfer dimension
D_1	120,2 mm	Bore diameter outer ring
d_2	85,6 mm	Raceway diameter of the inner ring
d_s	3,2 mm	Diameter lubrication hole
n_s	6,5 mm	Width of lubricating groove

Temperature range

T_{\min}	-30 °C	Operating temperature min.
T_{\max}	100 °C	Operating temperature max.



Calculation factors

e	0,22	Limiting value of Fa/Fr for the applicability of diff. Values of factors X and Y
Y ₁	3,1	Dynamic axial load factor
Y ₂	4,62	Dynamic axial load factor
Y ₀	3,03	Static axial load factor