



FAG

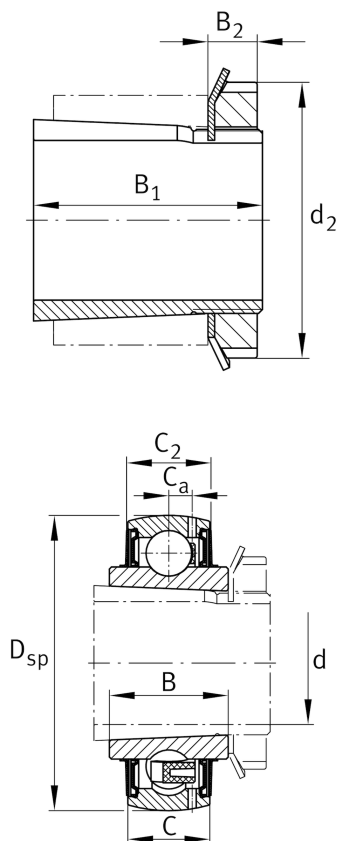
UK209

Radial insert ball bearing

Materiálové číslo Schaeffler:
0705801700000

Radial insert ball bearings UK, spherical
outer ring, location by adapter sleeve, RSR
seals on both sides

Technické informace

**Main Dimensions & Performance Data**

d	40 mm	Bore diameter
D _{SP}	85 mm	Outside diameter
B	32 mm	Width
B ₁	50 mm	Locking collar total width
C _r	34.500 N	Basic dynamic load rating, radial
C _{0r}	20.400 N	Basic static load rating, radial
C _{ur}	1.060 N	Fatigue load limit, radial
	0,83 kg	Hmotnost

Dimensions

C	22 mm	Width, outer ring
C ₂	22,6 mm	Sealing total width
C _a	6,3 mm	Distance to lubrication hole
d ₃	65 mm	Outside diameter locking collar/locknut
B ₂	11 mm	Width nut and lock

Temperature range

T _{min}	-20 °C	Operating temperature min.
T _{max}	100 °C	Operating temperature max.

Calculation factors

f ₀	14,1	Calculation factor
----------------	------	--------------------

Additional information

H2309-J30QH	Adapter sleeve
KM9	Locknut
MB9	Fuse
H.H2309	Sleeve