



FAG

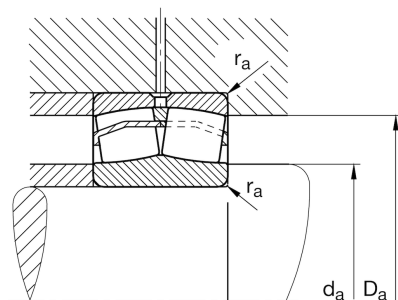
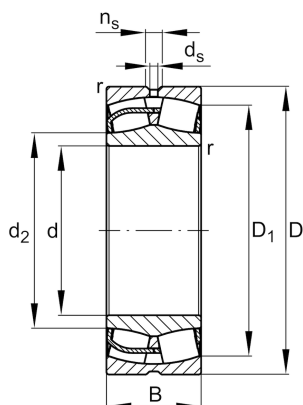
22238-BE-XL

Spherical roller bearing

Materiálové číslo Schaeffler:
0684183100000Spherical roller bearings 222...-E1, main
dimensions to DIN 635-2

X-life

Technické informace

**Main Dimensions & Performance Data**

d	190 mm	Bore diameter
D	340 mm	Outside diameter
B	92 mm	Width
C _r	1.360.000 N	Basic dynamic load rating, radial
C _{0r}	1.760.000 N	Basic static load rating, radial
C _{ur}	164.000 N	Fatigue load limit, radial
n _G	2.480 1/min	Limiting speed
n _{gr}	1.620 1/min	Reference speed
	35,465 kg	Hmotnost

Mounting dimensions

d _{a min}	207 mm	Minimum diameter shaft shoulder
D _{a max}	323 mm	Maximum diameter of housing shoulder
r _{a max}	3 mm	Maximum recess radius

Dimensions

r _{min}	4 mm	Minimum chamfer dimension
D ₁	295,2 mm	Bore diameter outer ring
d ₂	225,2 mm	Raceway diameter of the inner ring
d _s	9,5 mm	Diameter lubrication hole
n _s	17,7 mm	Width of lubricating groove

Temperature range

T _{min}	-30 °C	Operating temperature min.
T _{max}	200 °C	Operating temperature max.

Calculation factors

e	0,26	Limiting value of Fa/Fr for the applicability of diff. Values of factors X and Y
Y ₁	2,6	Dynamic axial load factor
Y ₂	3,87	Dynamic axial load factor
Y ₀	2,54	Static axial load factor