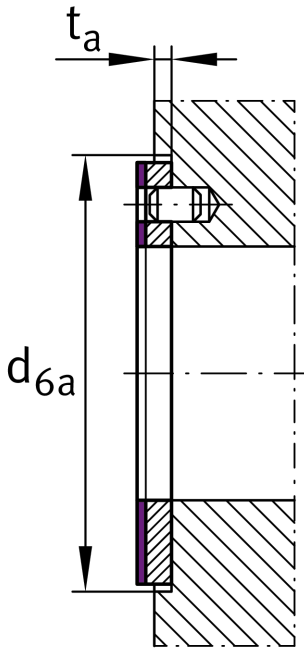
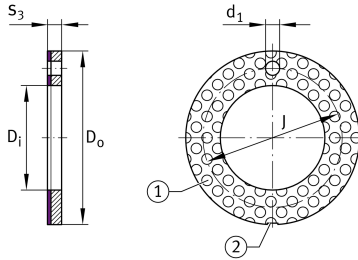
**EGW42-E50-Y**

## Thrust washer

Materiálové číslo Schaeffler:  
0708987820000Thrust washer, low-maintenance, material  
in accordance with ISO 3547-4, with steel  
backing

## Technické informace



## Main Dimensions &amp; Performance Data

$D_i$	42 mm	Inner diameter
$s_3$	1,5 mm	Wall thickness
$C_a$	143.000 N	Basic dynamic load rating, axial
$C_{0a}$	285.000 N	Basic static load rating, axial
$D_o$	66 mm	Outer Diameter
$\approx m$	17 g	Hmotnost

## Dimensions

$J$	54 mm	Pitch circle
$d_1$	4 mm	Fixing hole diameter
$t_a$	1 mm	Mounting dimension
$d_{6a}$	66 mm	Mounting dimension $d_{6a}$
$D_{iOT}$	0,25 mm	Inner diameter, upper tolerance
$D_{iUT}$	0 mm	Inner diameter, lower tolerance
$D_{oOT}$	0 mm	Outside diameter, upper tolerance
$D_{oUT}$	-0,25 mm	Outside diameter, lower tolerance
$s_{3OT}$	0 mm	Wall thickness, upper tolerance
$s_{3UT}$	-0,05 mm	Wall thickness, lower tolerance
$J_{OT}$	0,12 mm	Pitch circle, upper tolerance
$J_{UT}$	0,12 mm	Pitch circle, lower tolerance
$d_{1OT}$	0,4 mm	Fixing hole diameter, upper tolerance
$d_{1UT}$	0,1 mm	Fixing hole diameter, lower tolerance
$t_{aOT}$	0,2 mm	Mounting dimension, upper tolerance
$t_{aUT}$	0,2 mm	Mounting dimension, lower tolerance
$d_{6aOT}$	0,12 mm	Mounting dimension $d_{6a}$ , upper tolerance
$d_{6aUT}$	0 mm	Mounting dimension $d_{6a}$ , lower tolerance

## Temperature range

$T_{min}$	-40 °C	Operating temperature min.
$T_{max}$	110 °C	Operating temperature max.