



## PCFT30-XL

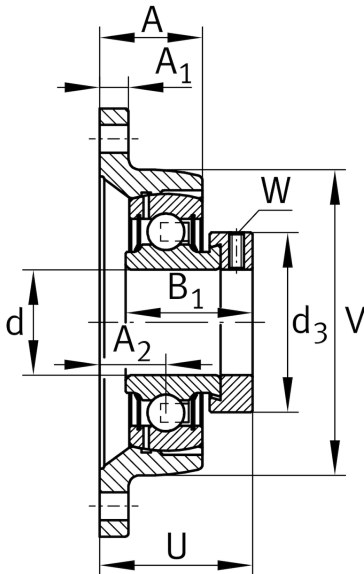
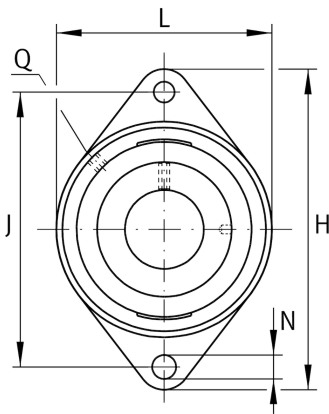
### Flanged housing unit

Materiálové číslo Schaeffler:  
0008315810000

Housing units PCFT, two-bolt flanged housing units, cast iron, eccentric locking collar, P seals

X-life

#### Technické informace



#### Main Dimensions & Performance Data

d	30 mm	Bore diameter
L	80 mm	Flange width
H	142 mm	Height flange
U	40 mm	Total height unit
$C_r$	20.700 N	Basic dynamic load rating, radial
$C_{0r}$	11.300 N	Basic static load rating, radial
$C_{ur}$	480 N	Fatigue load limit, radial
$\approx m$	0,77 kg	Hmotnost

#### Mounting dimensions

J	116,5 mm	Distance fixing bore
N	11,5 mm	Fixing bore
n	2	Number of screwing holes

#### Dimensions

A	22,3 mm	Height housing
$A_1$	12 mm	Thickness of flange
$A_2$	13,3 mm	Distance raceway
V	80 mm	Shoulder diameter housing
Q	M6	Connection thread for lubrication
$d_3$	44 mm	Outside diameter locking collar

#### Additional information

1	Number of housings
CFT06	Housing
GRAE30-XL-NPP-B	Bearing designation

#### Temperature range

$T_{min}$	-20 °C	Operating temperature min.
$T_{max}$	120 °C	Operating temperature max.