

FAG

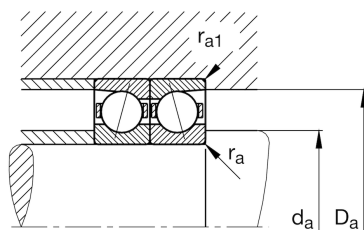
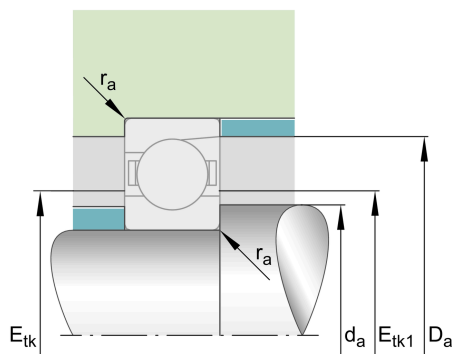
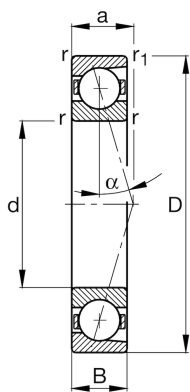
**B7000-C-T-P4S-UL**

## Spindle bearing

Materiálové číslo Schaeffler:  
0167274870000

Spindle bearings B70...-C, adjusted, in pairs or sets, contact angle  $\alpha = 15^\circ$ , restricted tolerances

## Technické informace

**Main Dimensions & Performance Data**

d	10 mm	Bore diameter
D	26 mm	Outside diameter
B	8 mm	Width
$C_r$	4.100 N	Basic dynamic load rating, radial
$C_{0r}$	1.470 N	Basic static load rating, radial
$C_{ur}$	155 N	Fatigue load limit, radial
$n_{G \text{ Grease}}$	67.000 1/min	Limiting speed for grease lubrication
$n_{G \text{ Oil}}$	100.000 1/min	Limiting speed for oil lubrication
	17 g	{Hmotnost}

**Mounting dimensions**

$d_a$	14 mm	Diameter shaft shoulder
$d_a$	h12	Diameter shaft shoulder clearance
$D_a$	22 mm	Shoulder diameter outer ring
$D_a$	H12	Shoulder diameter outer ring clearance
$r_{a \text{ max}}$	0,3 mm	Maximum recess radius
$r_{a1 \text{ max}}$	0,1 mm	Maximum recess radius
$E_{tk \text{ min}}$	15,7 mm	Minimum diameter injection pitch
$E_{tk \text{ max}}$	16,8 mm	Maximum diameter injection pitch
$E_{tk1 \text{ min}}$	15,7 mm	Minimum diameter injection pitch
$E_{tk1 \text{ max}}$	16,8 mm	Maximum diameter injection pitch
a	6,4 mm	Distance between the apexes of the pressure cones

**Dimensions**

$r_{\text{min}}$	0,3 mm	Minimum chamfer dimension
$r_{1 \text{ min}}$	0,3 mm	Minimum chamfer dimension
$\alpha$	15 °	Contact angle

**Temperature range**

$T_{\min}$	-30 °C	Operating temperature min.
$T_{\max}$	100 °C	Operating temperature max.

**Additional information**

$F_{VL}$	18 N	Preload force light
$F_{VM}$	65 N	Preload force medium
$F_{VH}$	136 N	Preload force heavy
$K_{aEL}$	54 N	Lift-off force light
$K_{aEM}$	220 N	Lift-off force medium
$K_{aEH}$	490 N	Lift-off force heavy
$c_{aL}$	12,7 N/μm	Axial rigidity light
$c_{aM}$	23 N/μm	Axial rigidity medium
$c_{aH}$	33,5 N/μm	Axial rigidity heavy