

★ NATV8

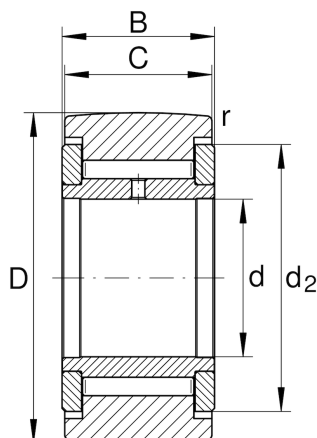
Yoke type track roller

Schaeffler ID:
0000324090000

★ Preferred product

Yoke type track rollers NATV, full complement needle roller set, with axial guidance, gap seals on both sides

Technical information



Main Dimensions & Performance Data

d	8 mm	Bore diameter
D	24 mm	Outside diameter
B	15 mm	Width, inner ring
$C_{r w}$	7 800 N	Basic dynamic load rating, radial
$C_{0r w}$	11 700 N	Basic static load rating, radial
$C_{ur w}$	1 620 N	Fatigue load limit, radial
n_{DG}	2 500 1/min	Speed on permanent grease lubrication
$F_{0r per}$	11 700 N	Permissible static load, radial
$F_{r per}$	10 200 N	Permissible dynamic load outer ring, radial
	41,9 g	Weight

Dimensions

C	14 mm	Width, outer ring
d_2	19 mm	Outside diameter of thrust washer
r_{min}	0,3 mm	Minimum chamfer dimension
R	500 mm	Radius of outer ring outside profile