



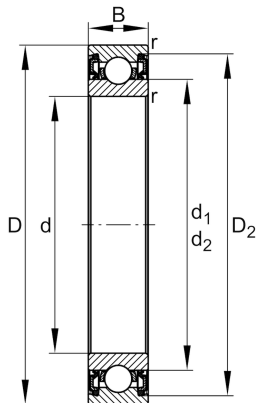
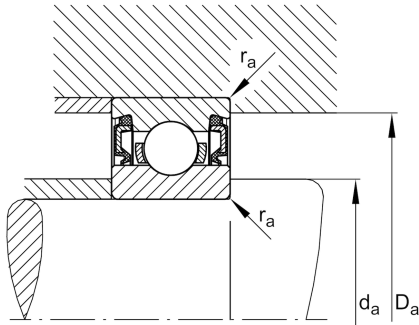
FAG

61819-2RZ-Y

Deep groove ball bearing

Materiálové číslo Schaeffler:
0807214860000Deep groove ball bearing 618..-2RZ-Y,
single row, shields, brass sheet metal cage

Technické informace

Main Dimensions & Performance Data

d	95 mm	Bore diameter
D	120 mm	Outside diameter
B	13 mm	Width
C_r	21.000 N	Basic dynamic load rating, radial
C_{0r}	21.300 N	Basic static load rating, radial
C_{ur}	1.230 N	Fatigue load limit, radial
n_G	6.600 1/min	Limiting speed
n_{gr}	4.350 1/min	Reference speed
	0,32 kg	\$(Hmotnost)\$

Mounting dimensions

$d_{a\ min}$	99,6 mm	Minimum diameter shaft shoulder
$D_{a\ max}$	115,4 mm	Maximum diameter of housing shoulder
$r_{a\ max}$	1 mm	Maximum fillet radius

Dimensions

$r_{\ min}$	1 mm	Minimum chamfer dimension
D_2	114,2 mm	Caliber diameter outer ring
d_1	103,2 mm	Shoulder diameter inner ring

Temperature range

$T_{\ min}$	-20 °C	Operating temperature min.
$T_{\ max}$	100 °C	Operating temperature max.

Calculation factors

f_0	16,1	Calculation factor
-------	------	--------------------