

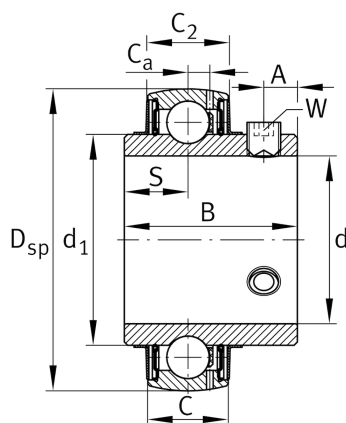
**FAG****UC201**

Radial insert ball bearing

Materiálové číslo Schaeffler:
0767088880000

Radial insert ball bearings UC, spherical
outer ring, location by grub screws, RSR
seals on both sides

Technické informace

**Main Dimensions & Performance Data**

| | | |
|-----------------|----------|-----------------------------------|
| d | 12 mm | Bore diameter |
| D _{SP} | 47 mm | Outside diameter |
| B | 31 mm | Width |
| C _r | 12.800 N | Basic dynamic load rating, radial |
| C _{0r} | 6.600 N | Basic static load rating, radial |
| C _{ur} | 345 N | Fatigue load limit, radial |
| | 193 g | Hmotnost |

Dimensions

| | | |
|----------------|----------|------------------------------|
| C | 17 mm | Width, outer ring |
| C ₂ | 16,8 mm | Sealing total width |
| S | 12,7 mm | Distance raceway |
| d ₁ | 27,56 mm | Rib diameter inner ring |
| C _a | 4,2 mm | Distance to lubrication hole |
| A | 5 mm | Distance thread |
| W | 3 mm | Width of flats |

Calculation factors

| | | |
|----------------|------|--------------------|
| f ₀ | 13,1 | Calculation factor |
|----------------|------|--------------------|