

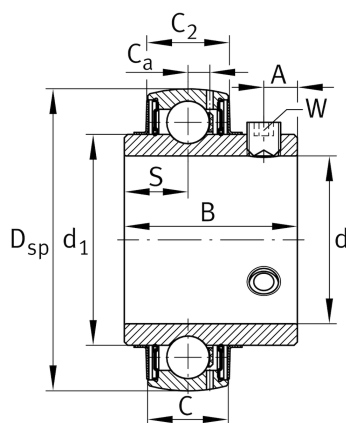
**FAG****UC207**

## Radial insert ball bearing

Materiálové číslo Schaeffler:  
0693440350000

Radial insert ball bearings UC, spherical  
outer ring, location by grub screws, RSR  
seals on both sides

## Technické informace

**Main Dimensions & Performance Data**

d	35 mm	Bore diameter
D <sub>SP</sub>	72 mm	Outside diameter
B	42,9 mm	Width
C <sub>r</sub>	27.500 N	Basic dynamic load rating, radial
C <sub>0r</sub>	15.300 N	Basic static load rating, radial
C <sub>ur</sub>	800 N	Fatigue load limit, radial
	0,46 kg	Hmotnost

**Dimensions**

C	20 mm	Width, outer ring
C <sub>2</sub>	20,6 mm	Sealing total width
S	17,5 mm	Distance raceway
d <sub>1</sub>	46,84 mm	Rib diameter inner ring
C <sub>a</sub>	5,7 mm	Distance to lubrication hole
A	7 mm	Distance thread
W	4 mm	Width of flats

**Calculation factors**

f <sub>0</sub>	13,8	Calculation factor
----------------	------	--------------------