



FAG

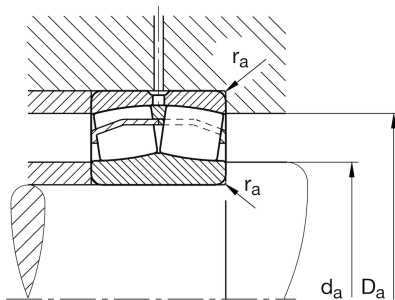
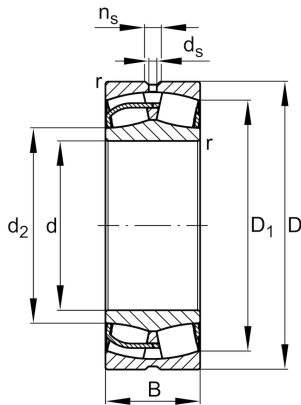
23044-BE-XL

Spherical Roller Bearing

Materiálové číslo Schaeffler:
0604179940000Spherical roller bearings 230..-E1, main
dimensions to DIN 635-2

X-life

Technické informace

**Main Dimensions & Performance Data**

d	220 mm	Bore diameter
D	340 mm	Outside diameter
B	90 mm	Width
C_r	1.260.000 N	Basic dynamic load rating, radial
C_{0r}	1.900.000 N	Basic static load rating, radial
C_{ur}	182.000 N	Fatigue load limit, radial
n_G	2.230 1/min	Limiting speed
n_{gr}	1.450 1/min	Reference speed
$\approx m$	29,245 kg	Hmotnost

Mounting dimensions

$d_{a \min}$	232,4 mm	Minimum diameter shaft shoulder
$D_{a \max}$	327,6 mm	Maximum diameter of housing shoulder
$r_{a \max}$	2,5 mm	Maximum recess radius

Dimensions

r_{\min}	3 mm	Minimum chamfer dimension
D_1	304,5 mm	Bore diameter outer ring
d_2	248,8 mm	Raceway diameter of the inner ring
d_s	8 mm	Diameter lubrication hole
n_s	15 mm	Width of lubricating groove

Temperature range

T_{\min}	-30 °C	Operating temperature min.
T_{\max}	200 °C	Operating temperature max.

Calculation factors

e	0,24	Limiting value of Fa/Fr for the applicability of diff. Values of factors X and Y
Y ₁	2,81	Dynamic axial load factor
Y ₂	4,19	Dynamic axial load factor
Y ₀	2,75	Static axial load factor