

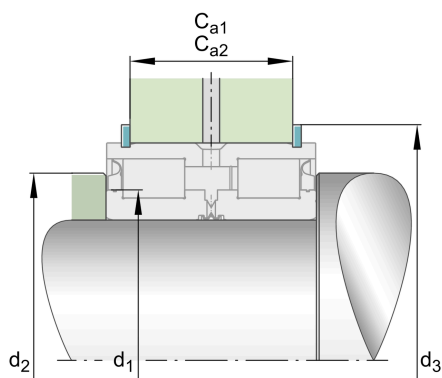
SL045038-D-PP

Cylindrical roller bearing

Materiálové číslo Schaeffler:
0893153400000

Cylindrical roller bearing SL04...-D-PP, full complement roller set, two-row, locating bearing, central rib on outer ring, 3 ribs on inner ring, type SL04

Technické informace



Main Dimensions & Performance Data

d	190 mm	Bore diameter
D	290 mm	Outside diameter
B	136 mm	Width
C_r	1.160.000 N	Basic dynamic load rating, radial
C_{0r}	2.210.000 N	Basic static load rating, radial
C_{ur}	275.000 N	Fatigue load limit, radial
$n_{G \text{ Grease}}$	660 1/min	Limiting speed for grease lubrication
	30,56 kg	Hmotnost

Mounting dimensions

C_{a1}	110 mm	Mounting dim for snap ring WRE (not included in delivery) Tolerance: 0/-0,2
C_{a2}	108 mm	Mounting dim for retaining ring to DIN 471 (not incl. In delivery) Tol: 0/-0,2
d_1	226 mm	Rib diameter inner ring
d_2	248 mm	Sealing diameter (rib)
d_3	312 mm	Outside diameter of snap ring WRE
$d_{1 \text{ min}}$	226,5 mm	Minimum diameter shaft shoulder
$r_{a \text{ max}}$	0,6 mm	Maximum recess radius
	30 °	Chamfer angle
	-0,2 mm	Lower distance snap ring tolerance
	-0,2 mm	Lower distance retaining ring tolerance
	0 mm	Upper distance snap ring tolerance
	0 mm	Upper distance retaining ring tolerance
	0 mm	Lower distance ring groove tolerance
	0,2 mm	Upper distance ring groove tolerance

Dimensions

C	135 mm	Width, outer ring
C ₁	118,2 mm	Distance ring grooves
D ₁	284 mm	Diameter of groove
m	5,2 mm	Width of groove
r _{min}	0,6 mm	Minimum chamfer dimension
t	2 mm	Chamfer width
X	112 mm	Distance between rolling elements

Temperature range

T _{min}	-30 °C	Operating temperature min.
T _{max}	80 °C	Operating temperature max.