



PCFT17-XL

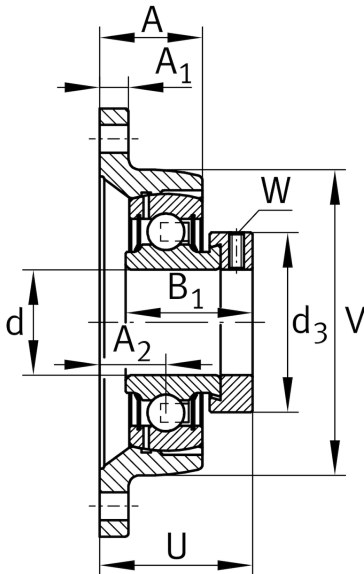
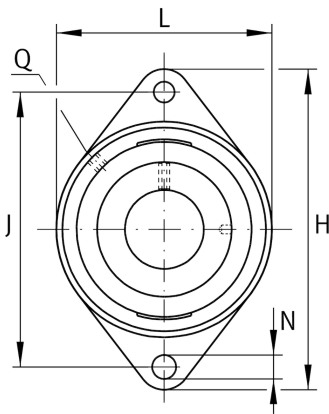
Flanged housing unit

Materiálové číslo Schaeffler:
0008314090000

Housing units PCFT, two-bolt flanged housing units, cast iron, eccentric locking collar, P seals

X-life

Technické informace



Main Dimensions & Performance Data

d	17 mm	Bore diameter
L	57 mm	Flange width
H	99 mm	Height flange
U	32,1 mm	Total height unit
C _r	10.100 N	Basic dynamic load rating, radial
C _{0r}	4.750 N	Basic static load rating, radial
C _{ur}	248 N	Fatigue load limit, radial
≈m	0,33 kg	Hmotnost

Mounting dimensions

J	76,5 mm	Distance fixing bore
N	11,5 mm	Fixing bore
n	2	Number of screwing holes

Dimensions

A	18 mm	Height housing
A ₁	9,5 mm	Thickness of flange
A ₂	10 mm	Distance raceway
V	57 mm	Shoulder diameter housing
Q	M6	Connection thread for lubrication
d ₃	28,4 mm	Outside diameter locking collar

Additional information

1	Number of housings
CFT03	Housing
GRAE17-XL-NPP-B	Bearing designation

Temperature range

T _{min}	-20 °C	Operating temperature min.
T _{max}	120 °C	Operating temperature max.