

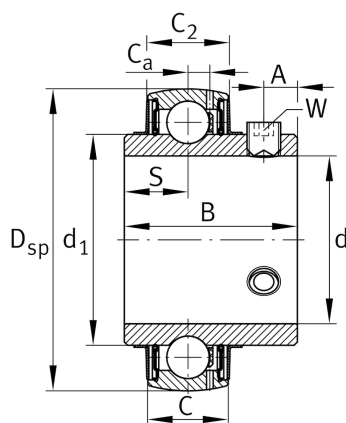
**FAG****UC208**

## Radial insert ball bearing

Materiálové číslo Schaeffler:  
0693658060000

Radial insert ball bearings UC, spherical  
outer ring, location by grub screws, RSR  
seals on both sides

## Technické informace

**Main Dimensions & Performance Data**

d	40 mm	Bore diameter
D <sub>SP</sub>	80 mm	Outside diameter
B	49,2 mm	Width
C <sub>r</sub>	32.500 N	Basic dynamic load rating, radial
C <sub>0r</sub>	19.800 N	Basic static load rating, radial
C <sub>ur</sub>	1.030 N	Fatigue load limit, radial
	0,619 kg	Hmotnost

**Dimensions**

C	21 mm	Width, outer ring
C <sub>2</sub>	21,6 mm	Sealing total width
S	19 mm	Distance raceway
d <sub>1</sub>	52,27 mm	Rib diameter inner ring
C <sub>a</sub>	6,2 mm	Distance to lubrication hole
A	8 mm	Distance thread
W	4 mm	Width of flats

**Calculation factors**

f <sub>0</sub>	13,6	Calculation factor
----------------	------	--------------------