

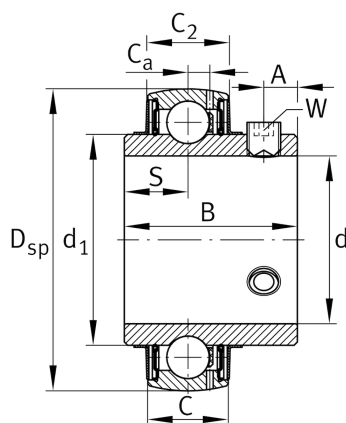
**FAG****UC209**

Radial insert ball bearing

Materiálové číslo Schaeffler:
0693714150000

Radial insert ball bearings UC, spherical
outer ring, location by grub screws, RSR
seals on both sides

Technické informace

**Main Dimensions & Performance Data**

d	45 mm	Bore diameter
D _{SP}	85 mm	Outside diameter
B	49,2 mm	Width
C _r	32.500 N	Basic dynamic load rating, radial
C _{0r}	20.400 N	Basic static load rating, radial
C _{ur}	870 N	Fatigue load limit, radial
	0,701 kg	Hmotnost

Dimensions

C	22 mm	Width, outer ring
C ₂	22,6 mm	Sealing total width
S	19 mm	Distance raceway
d ₁	57,91 mm	Rib diameter inner ring
C _a	6,3 mm	Distance to lubrication hole
A	8 mm	Distance thread
W	4 mm	Width of flats

Calculation factors

f ₀	14,1	Calculation factor
----------------	------	--------------------