



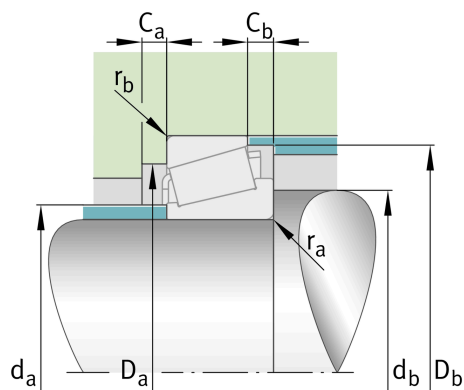
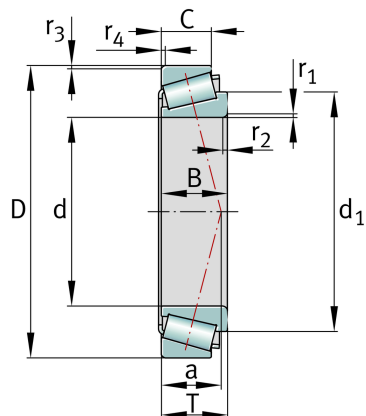
FAG

30210-A

Tapered roller bearing

Materiálové číslo Schaeffler:
0167105760000Tapered roller bearings 302, main
dimensions to DIN ISO 355 / DIN 720,
separable, adjusted or in pairs

Technické informace



Main Dimensions & Performance Data

d	50,00 mm	Bore diameter
D	90,00 mm	Outside diameter
B	20,00 mm	Width, inner ring
C	17,00 mm	Width, outer ring
T	21,75 mm	Width, total
C_r	79.000,00 N	Basic dynamic load rating, radial
C_{0r}	96.000,00 N	Basic static load rating, radial
C_{ur}	11.500,00 N	Fatigue load limit, radial
n_G	8.200,00 1/min	Limiting speed
n_{gr}	5.000,00 1/min	Thermal speed rating
	0,54 kg	Hmotnost

Mounting dimensions

$d_{a \max}$	58,00 mm	Maximum diameter of shaft shoulder
$d_{b \min}$	57,00 mm	Minimum diameter of shaft shoulder
$D_{a \max}$	83,00 mm	Maximum diameter of housing shoulder
$C_{a \min}$	3,00 mm	Minimum axial space
$C_{b \min}$	4,50 mm	Minimum axial space
$r_{a \max}$	1,50 mm	Maximum fillet radius of shaft

Dimensions

$r_{1,2 \min}$	1,50 mm	Minimum chamfer dimension of inner ring back face
$r_{3,4 \min}$	1,50 mm	Minimum chamfer dimension of outer ring back face
a	20,00 mm	Distance between the apexes of the pressure cones
d_1	68,80 mm	Guidance rib diameter of inner ring

Temperature range

T_{\min}	-30,00 °C	Operating temperature min.
T_{\max}	120,00 °C	Operating temperature max.

Calculation factors

e	0,42	Limiting value of Fa/Fr for the applicability of diff. Values of factors X and Y
Y	1,43	Dynamic axial load factor
Y ₀	0,79	Static axial load factor

Additional information

T3DB050	Comparative designation to ISO 10317 and ISO 355
---------	--