



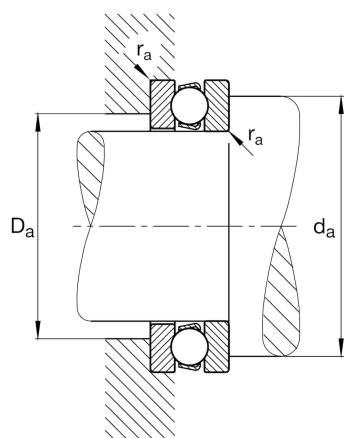
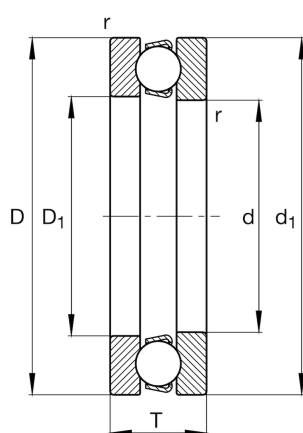
FAG

51110

Axial deep groove ball bearing

Materiálové číslo Schaeffler:
0167147250000Axial deep groove ball bearing 511, single
direction, steel sheet metal cage

Technické informace

**Main Dimensions & Performance Data**

d	50 mm	Inner diameter shaft washer
D	70 mm	Outer diameter housing washer
T	14 mm	Height
C_a	27.000 N	Basic dynamic load rating, axial
C_{0a}	75.000 N	Basic static load rating, axial
C_{ua}	3.400 N	Fatigue load limit, axial
n_G	6.800 1/min	Limiting speed
n_{gr}	5.200 1/min	Reference speed
$\approx m$	160 g	Hmotnost

Mounting dimensions

$d_{a \min}$	62 mm	Minimum diameter shaft shoulder
$D_{a \max}$	58 mm	Maximum diameter of housing shoulder
$r_{a \max}$	0,6 mm	Maximum fillet radius

Dimensions

r_{\min}	0,6 mm	Minimum chamfer dimension
D_1	52 mm	Inner diameter housing washer
d_1	70 mm	Outer diameter shaft washer

Temperature range

T_{\min}	-30 °C	Operating temperature min.
T_{\max}	150 °C	Operating temperature max.

Calculation factors

A	0,029	Minimum load factor
---	-------	---------------------